

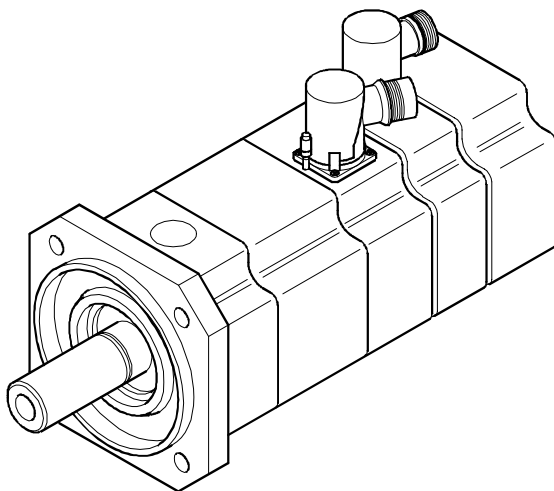
# SIEMENS

## Three-phase servomotors 1FK7 02. - 1FK7 10.

Instructions

Edition 11 / 2001

Drehstrom-Servomotoren  
Servomoteurs triphasés  
Servomotores trifásicos  
Servomotori trifasi  
Trefas servomotorer



610.40 700.21

---

**CONTENTS**

	<b>ENGLISH</b> .....	<b>8</b>
<b>1</b>	<b>General safety instructions</b> .....	<b>10</b>
<b>2</b>	<b>Product information</b> .....	<b>10</b>
	2.1 Product description .....	10
	2.2 Scope of delivery .....	11
<b>3</b>	<b>Technical data</b> .....	<b>11</b>
	3.1 Rating plate .....	11
	3.2 Features .....	12
<b>4</b>	<b>Installation, Assembly</b> .....	<b>13</b>
	4.1 Transport, Storage .....	13
	4.2 Installation .....	14
<b>5</b>	<b>Electrical connections</b> .....	<b>15</b>
	5.1 Important instructions .....	15
	5.2 Plug design .....	17
<b>6</b>	<b>Start-up</b> .....	<b>18</b>
	6.1 Checks before starting up .....	18
	6.2 Start-up .....	19
<b>7</b>	<b>Instructions in case of faults</b> .....	<b>19</b>
<b>8</b>	<b>Inspection, maintenance, disposal</b> .....	<b>20</b>

---

**INHALT**

	<b>DEUTSCH</b> .....	<b>21</b>
<b>1</b>	<b>Allgemeine Sicherheitshinweise</b> .....	<b>23</b>
<b>2</b>	<b>Angaben zum Produkt</b> .....	<b>23</b>
	2.1 Produktbeschreibung .....	23
	2.2 Lieferumfang .....	24
<b>3</b>	<b>Technische Daten</b> .....	<b>24</b>
	3.1 Typenschild .....	24
	3.2 Merkmale .....	25
<b>4</b>	<b>Aufstellung, Montage</b> .....	<b>26</b>
	4.1 Transport, Lagerung .....	26
	4.2 Aufstellung .....	27
<b>5</b>	<b>Elektrischer Anschluss</b> .....	<b>28</b>
	5.1 Wichtige Hinweise .....	28
	5.2 Steckerausführung .....	30
<b>6</b>	<b>Inbetriebnahme</b> .....	<b>31</b>
	6.1 Prüfungen vor Inbetriebnahme .....	31
	6.2 Inbetriebnahme .....	32
<b>7</b>	<b>Hinweise bei Störungen</b> .....	<b>32</b>
<b>8</b>	<b>Inspektion, Wartung, Entsorgung</b> .....	<b>33</b>

---

**SOMMAIRE**

	<b>FRANÇAIS</b> .....	<b>34</b>
<b>1</b>	<b>Consignes générales de sécurité</b> .....	<b>36</b>
<b>2</b>	<b>Indications relatives au produit</b> .....	<b>36</b>
	2.1 Description du produit .....	36
	2.2 Equipements fournis .....	37
<b>3</b>	<b>Caractéristiques techniques</b> .....	<b>37</b>
	3.1 Plaque signalétique .....	37
	3.2 Caractéristiques .....	38
<b>4</b>	<b>Installation, montage</b> .....	<b>39</b>
	4.1 Transport, positionnement .....	39
	4.2 Installation .....	40
<b>5</b>	<b>Raccordement électrique</b> .....	<b>41</b>
	5.1 Consignes importantes .....	41
	5.2 Modèle de prise .....	43
<b>6</b>	<b>Mise en service</b> .....	<b>44</b>
	6.1 Vérifications avant la mise en service .....	44
	6.2 Mise en service .....	45
<b>7</b>	<b>Remarques en cas de dérangement</b> .....	<b>45</b>
<b>8</b>	<b>Inspection, entretien, élimination</b> .....	<b>46</b>

**ÍNDICE**

	<b>ESPAÑOL</b> .....	<b>47</b>
<b>1</b>	<b>Indicaciones generales de seguridad</b> .....	<b>49</b>
<b>2</b>	<b>Datos respecto al producto</b> .....	<b>49</b>
	2.1 Descripción del producto.....	49
	2.2 Volumen de suministro.....	50
<b>3</b>	<b>Datos técnicos</b> .....	<b>50</b>
	3.1 Placa de características.....	50
	3.2 Características.....	51
<b>4</b>	<b>Instalación y montaje</b> .....	<b>52</b>
	4.1 Transporte, almacenamiento.....	52
	4.2 Instalación.....	53
<b>5</b>	<b>Conexión eléctrica</b> .....	<b>54</b>
	5.1 Indicaciones importantes.....	54
	5.2 Conexiones.....	56
<b>6</b>	<b>Puesta en servicio</b> .....	<b>57</b>
	6.1 Comprobaciones antes de la puesta en servicio.....	57
	6.2 Puesta en servicio.....	58
<b>7</b>	<b>Indicaciones en caso de avería</b> .....	<b>58</b>
<b>8</b>	<b>Inspección, mantenimiento, eliminación de residuos</b> .....	<b>59</b>

---

**INDICE**


	<b>ITALIANO</b> .....	<b>60</b>
<b>1</b>	<b>Avvertenze generiche di sicurezza</b> .....	<b>62</b>
<b>2</b>	<b>Dati sul prodotto</b> .....	<b>62</b>
	2.1 Descrizione del prodotto .....	62
	2.2 Fornitura .....	63
<b>3</b>	<b>Caratteristiche tecniche</b> .....	<b>63</b>
	3.1 Targhetta .....	63
	3.2 Caratteristiche .....	64
<b>4</b>	<b>Installazione, montaggio</b> .....	<b>65</b>
	4.1 Trasporto, stoccaggio .....	65
	4.2 Installazione .....	66
<b>5</b>	<b>Collegamento elettrico</b> .....	<b>67</b>
	5.1 Note importanti .....	67
	5.2 Tipo di connettore .....	69
<b>6</b>	<b>Messa in funzione</b> .....	<b>70</b>
	6.1 Verifica prima della messa in funzione .....	70
	6.2 Messa in funzione .....	71
<b>7</b>	<b>Istruzioni in caso di guasto</b> .....	<b>71</b>
<b>8</b>	<b>Ispezione, manutenzione, smaltimento</b> .....	<b>72</b>


---

**INNEHÅLL**

	<b>SVENSKA</b> .....	<b>73</b>
<b>1</b>	<b>Allmän säkerhetsinformation</b> .....	<b>75</b>
<b>2</b>	<b>Uppgifter om produkten</b> .....	<b>75</b>
	2.1 Produktbeskrivning .....	75
	2.2 Leveransens omfattning .....	76
<b>3</b>	<b>Tekniska data</b> .....	<b>76</b>
	3.1 Typskylt .....	76
	3.2 Kännetecken .....	77
<b>4</b>	<b>Uppställning, montering</b> .....	<b>78</b>
	4.1 Transport, lagring .....	78
	4.2 Uppställning .....	79
<b>5</b>	<b>Elektrisk anslutning</b> .....	<b>80</b>
	5.1 Viktig information .....	80
	5.2 Kontaktutförande .....	82
<b>6</b>	<b>Driftsättning</b> .....	<b>83</b>
	6.1 Kontroller innan driftsättning .....	83
	6.2 Driftsättning .....	83
<b>7</b>	<b>Information vid störningar</b> .....	<b>84</b>
<b>8</b>	<b>Inspektion, underhåll, avfallshantering</b> .....	<b>85</b>

This manual contains notes which you should observe to ensure your own personal safety, as well to protect the product and connected equipment. These notices are highlighted in the manual by a warning triangle and are marked as follows to the level of danger. They are shown as follows according to the degree of danger involved.

 <b>DANGER!</b>	
Pictogram	indicates an imminently hazardous situation which, if not avoided by the appropriate precautionary measures, will result in death, serious injury or substantial material damage.

 <b>WARNING</b>	
Pictogram	indicates an imminently hazardous situation which, if not avoided by the appropriate precautionary measures, could result in death, serious injury or substantial material damage.

 <b>CAUTION</b>	
Pictogram	used with the safety alert symbol indicates a potentially hazardous situation which, if not avoided, may result in minor or moderate injury.

<b>CAUTION</b>	
used without the safety alert symbol indicates a potentially hazardous situation which, if not avoided, may result in damage to property.	

<b>NOTICE</b>	
indicates a potential situation which, if not avoided, may result in an undesirable result or state.	



## **Qualified Personnel**

The device/system may only be set up and operated in conjunction with this manual. Only qualified personnel should be allowed to install and work on the this equipment. Qualified persons are defined as persons who are authorized to commission, to ground, and to bag circuits, equipment, and systems in accordance with established safety practices and standards.

## **Intended Usage**

Please note the following:

This device and its components may only be used for the applications described in the catalog or technical description, and only in connection with devices or components from other manufacturers which have been approved or recommended by Siemens.

This product can only function correctly and safely if it is transported, stored, set up, and installed correctly, and operated and maintained as recommended.

## **Disclaimer of Liability**

We have checked the contents of this manual. Since deviations cannot be precluded entirely, we cannot guarantee full agreement. However, the data in the manual are reviewed regularly and any necessary corrections included in subsequent editions. Suggestions for improvement are welcomed.

## **© Copyright Siemens AG 2001. All rights reserved**

The reproduction, transmission or use of this document or its contents is not permitted without express written authority. Offenders will be liable for damages.

All rights, including rights created by patent grant or registration of a utility model or design, are reserved.

Siemens AG  
Bereich Automatisierungs- und Antriebstechnik  
Geschäftsgebiet Motion Control Systeme (MC)  
D-97615 Bad Neustadt an der Saale

# 1 General safety instructions

The servomotors correspond to the harmonized standards of the EN 60034 (VDE 0530) series EN 60034-1, EN 60034-6, EN 60034-9 and EN 60204-1.

The three-phase servomotors 1FK6 conform to 73/23/EEC Low Voltage Directive.

Standard motors conform to UL regulations. The rating plates of these motors are marked with UR.

**Ensure that your end product conforms to all currently valid legal requirements. Follow the compulsory national, local and installation-specific regulations.**

Three-phase servomotors are exclusively intended for fitting in another machine or machines.

**These motors must not be brought into use until it has been established that the end product conforms to the currently valid directives.**

The operating manual applies in conjunction with the SIEMENS project planning guide "Three-Phase Servomotors", order no. 6SN1197-0AC20-0AP.

All safety instructions must be observed during the transport, storage, assembly, disassembly and operation of the servomotors!

Failure to observe the instructions can lead to serious personal injuries or property damage.

The motors' rotors contain permanent magnets with high magnetic flux densities which exert strong attractive forces on ferromagnetic bodies.

People fitted with a heart pacemaker are at risk in the vicinity of a disassembled rotor. Data stored on electronic data media may be destroyed.

It is forbidden to use the motors in areas at risk of explosion, unless expressly stated.

## Thermal hazards

The surface temperatures of the motors can reach up to 140 °C (284 °F).

**Do not touch hot surfaces!**

Temperature-sensitive components (electric lines, electronic components) must not touch hot surfaces.

Overheating in the motors may destroy the windings and bearings, and demagnetize the permanent magnets.

**Only operate the motors with effective temperature control.**

## Intended use

Usage for the intended purpose includes observing all the specifications in the operating manual and the project planning guide "Three-Phase Servomotors".

# 2 Product information

## 2.1 Product description

Motors of 1FK7 series are permanent magnet excited, three-phase synchronous motors (three-phase servomotors) for operating with motor-controlled indirect a.c. converters according to the sinusoidal current principle.

The motors are intended for driving and positioning machine tools, production machines, robots and handling devices.

## 2.2 Scope of delivery

The drive systems are arranged individually. Immediately upon receipt of delivery, check whether the scope of delivery corresponds with the consignment notes. SIEMENS cannot accept any liability for any shortages or deficiencies reported at a later date.

Complaint instructions:

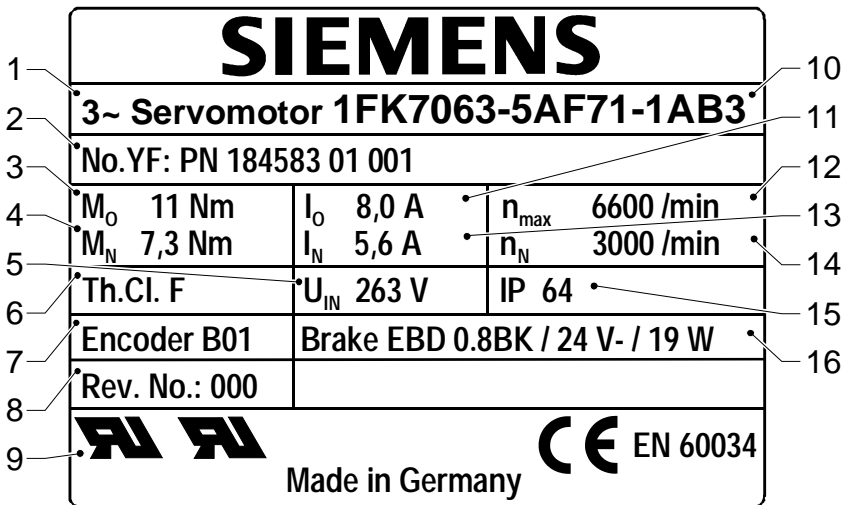
- Report detectable transport damage immediately to the carrier.
- Report detectable defects / incomplete delivery immediately to the responsible SIEMENS representative.

The operating manual is part of the scope of delivery and shall therefore be kept in an accessible place.

As the delivery includes a separate type plate, the motor data must also be kept on or near the machine or system.

## 3 Technical data

### 3.1 Rating plate



**Fig. 1 Rating plate**

- |  |  |
|--|--|
| <p>1 Motor type: three-phase servomotor</p> <p>2 IID No., production number</p> <p>3 Zero speed continuous torque <math>M_0</math> [Nm]</p> <p>4 Rated torque <math>M_N</math> [Nm]</p> <p>5 Induced voltage <math>U_{IN}</math> [V]</p> <p>6 Temperature class</p> <p>7 Encoder type code</p> <p>8 Version</p> <p>9 Standards and regulations</p> | <p>10 SIEMENS motor type/ designation</p> <p>11 Zero-speed current <math>I_0</math> [A]</p> <p>12 Maximum speed <math>n_{max}</math> [rpm]</p> <p>13 Rated current <math>I_N</math> [A]</p> <p>14 Rated speed <math>n_N</math> [rpm]</p> <p>15 Degree of protection</p> <p>16 Holding brake data:<br/>Type, voltage, power consumption</p> |
|--|--|

## 3.2 Features

Types of construction (EN 60034-7)	IM B5 (IM V1, IM V3)
Degree of protection (EN 60034-5)	IP64
Cooling (EN 60034-6)	Self-cooling
A-grade sound intensity level (EN 60034-9) for speed range up to 3,000 rpm	
1FK7 02., 1FK7 03., 1FK7 04. 1FK7 06. 1FK7 08., 1FK7 10.	approx. 55 dB(A) approx. 65 dB(A) approx. 70 dB(A)
Thermal motor protection (EN 60034-11)	Temperature sensor KTY84 in the stator winding
Shaft end (DIN 748-3; IEC 60072-1)	cylindrical; without keyway, Tolerance range k6
true running, coaxiality, axial run-out deviation (DIN 42955; IEC 60072-1)	Tolerance N
Vibration severity (EN 60034-14)	Grade N
Bearing	Rolling contact bearing with permanent grease lubrication (lifetime lubrication) fixed bearing on non-drive end
Service life of bearing	20000 h (guideline)
Winding insulation (EN 60034-1)	Temperature class F
Ambient temperatures	-15 °C to +40 °C (5 °F to 104 °F) otherwise the rated data are reduced to 50 °C conversion factor 0,92 to 60 °C conversion factor 0,82
Installation altitude (EN 60034-1)	up to 1000 m a.s.l., 2000 m conversion factor 0,94 2500 m conversion factor 0,9
Magnetic material	Rare-earth material
Electrical connections	Revolving plug for output and encoder signals
Encoder system	fitted encoder - speed recording - recording the rotor position - indirect positional recording
Additional technical parameters, dimensional sheets according to project planning guide "Three-Phase Servomotors", order no. 6SN1197-0AC20-0AP.	

## Options/expansions


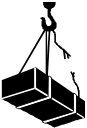
Low inertia series	HD (High Dynamic)
Type of protection (EN 60034-5)	IP 65; additional drive end flange IP67

Fitted/mounted elements	- closed current holding brake (DIN VDE 0580) Supply voltage 24 V DC $\pm 10\%$
Encoder system	- planetary gearing - incremental encoder sin/cos 1 $V_{PP}$ - absolute value encoder EnDat - simple, absolute value encoder - resolver
Shaft end (DIN 748-3; IEC 60072-1)	cylindrical with keyway and feather key; Tolerance range k6 (balancing with half feather key)

You will find more technical details, e.g. motor dimensions, in the catalogs NC 60 and DA 65.3.

## 4 Installation, Assembly

### 4.1 Transport, Storage

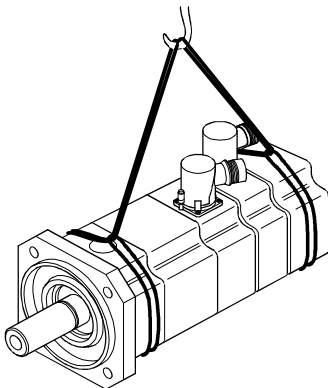
 <b>WARNING</b>	
	<p><b>Danger during lifting and transporting procedures!</b>  <b>Improper handling, unsuitable or defective devices, tools etc. can cause injuries and/or property damage.</b>  <b>Lifting devices, ground conveyors and lifting tackle must correspond to the valid regulations.</b></p>

Use suitable load suspension devices for transport and assembly.

Use lifting eyes for transporting the motors where these are provided by the manufacturer.

Lifting tackle as per 98/37/EU Directive for Machines, Appendix I.

The motors weigh up to 50 kg. For exact details, please refer to the catalog or dimensional sheet.

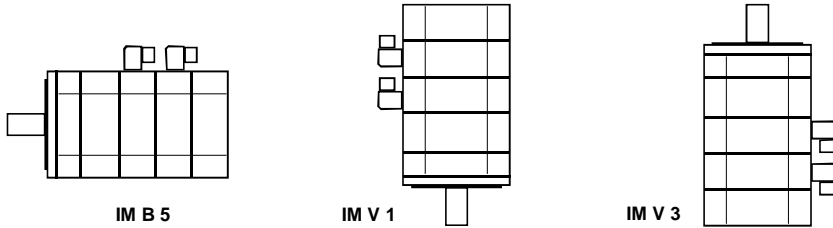


**Fig. 2 Lift and transport with suspension bands**

Observe the transport regulations applying in the country/countries concerned.

Store in a dry, low-dust and low-vibration place ( $v_{eff} < 0,2 \text{ mms}^{-1}$ )

## 4.2 Installation



**Fig. 3 Types of construction**

- Take note of and observe the information on the rating plate and warning and informative notices on the motor.
- Observe the permitted transverse and axial forces (see project planning instructions). Axial forces are not permitted on motors with an integrated brake.
- Check for compliance with the conditions (e.g. temperature, site altitude) at the assembly site (see Section 3.2).
- It is forbidden to use them in areas at risk of explosion.
- Remove all anti-corrosion agents from the shaft end (use commercially available solvent).
- Ensure that waste heat is adequately dissipated. It is recommended to maintain a clearance of 100 mm from adjacent parts on at least three sides.
- Tighten the flanges equally, avoid distortions when tightening the fixing screws. Use hexagon socket head cap screws, strength class at least 8.8.
- In the case of a vertical installation with the shaft end at the top, ensure that no fluid penetrates into the upper bearing.
- Lifting eye-bolts which have been screwed in may be removed after the motor has been installed.
- Turn the output elements by hand. If grinding noises occur, eliminate the cause or contact the manufacturer.

### Vibrations, balancing

Motors with a keyway are balanced by the manufacturer with a half feather key.

The site vibration response of the system is determined by the output elements, the mounting conditions, the alignment, the installation and the effects of external vibrations. This may cause a modification of the motor vibration values.

The vibrations imitted in the fitted state must not exceed acceleration of 5 g.

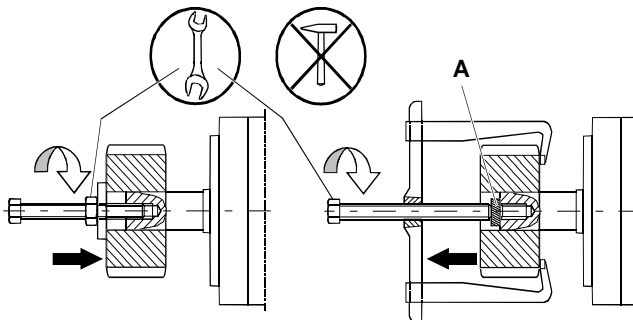
### Output elements

#### **NOTICE**

**Do not strike the shaft or bearings of the motors.  
Do not exceed the permissible axial and radial forces on the shaft end stated in the configuration specification.  
Axial forces are not permitted on motors with an integrated brake.**

Suitable devices should always be used to push on or pull off the output elements (e.g. the coupler, gear wheel, belt pulley, Fig. 4).

- Use the tapped hole in the shaft end.
- Heat up the output elements if necessary.
- Use a shim to protect the centering in the shaft end when pulling output elements off.
- If necessary, fully balance the motor with the output elements according to ISO1940




**Fig. 4 Pulling off and putting on output elements.**


A Shim (protects the centering in the shaft end)

## 5 Electrical connections

### 5.1 Important instructions

<b>⚠ DANGER!</b>	
	<p><b>Electric shock hazard!</b>  <b>When the rotor is rotating, the motor terminals carry a voltage of up to approx. 300 V.</b>  <b>Stop the motor before commencing any electrical work.</b>  <b>Only use trained, qualified personnel for assembly work on the converters and plugs.</b>  <b>Observe the regulations for working in electrotechnical plants.</b></p>

Safety rules for working in electrical installations as per EN 50110-1 (DIN VDE 0105-100):

- Work always with the equipment electrically dead.
- Isolate from electrical supply.
- Secure against switching on again.
- Check electrical deadness.
- Earth and short-circuit.
- Cover or cordon off adjacent parts which are electrically live.
- Release for work.
- Connect the PE conductor to 

## Assembly requirements

### CAUTION

**Warning of motor damage!****Connecting the motor directly to a three-phase system will destroy it.****Motors may only be driven with configured converters!****Ensure that the phase sequence is correct.****Encoder systems and temperature sensor contain electrostatically endangered components (EEC).****Do not touch the connections with your hands or tools which could be electrostatically charged!**

Pre-assembled cables from SIEMENS are recommended (not included in scope of delivery). These cables reduce the assembly time and increase operational safety.

- Proper installation is the responsibility of the manufacturer of the system / machine.
- Observe the data on the type plate (Section 3.1) and the information in the wiring diagrams (Fig. 5).
- Connecting leads must be suitable for the type of application and for the anticipated currents and voltages.
- If the motor is supplied by means of converters, high-frequency current and voltage harmonics in the motor supply leads can cause electromagnetic interference to be emitted.  
Use shielded power and signal lines.  
Observe the EMC instructions of the converter manufacturer.
- The inside of the plug must be kept clean and free from cable residues and moisture.
- Avoid protruding wire ends.
- Check the seals and sealing surfaces of plug to ensure that the degree of protection is maintained.
- The connecting leads are to be equipped with the strain relief device and the devices which protect against rotation and transverse forces, and must be prevented from kinking. The plugs must not be subjected to continuous forces.
- The coding slot on the plug connector must be aligned when inserted into the female connector in each case, and the union nut tightened up to the stop by hand.

The protective function with a fitted temperature sensor is inadequate for high thermal loads, e.g. overload with the motor at a standstill. Additional protective measures are to be provided for such cases, e.g. a thermal overcurrent relay.



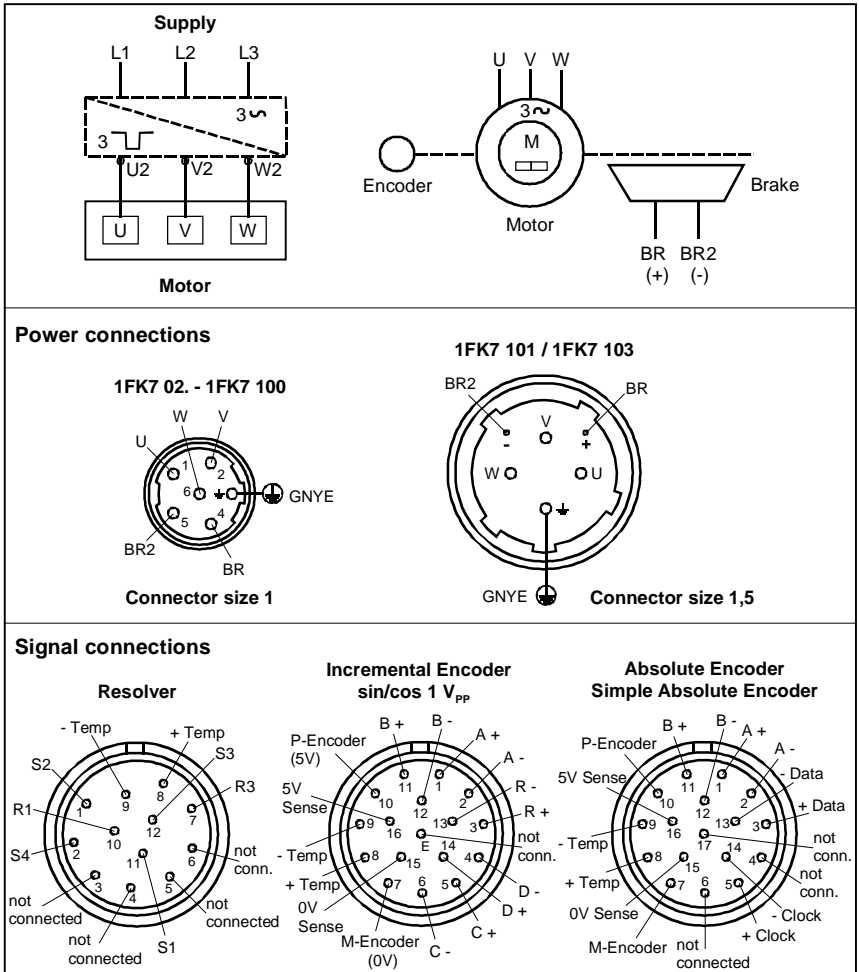


Fig. 5 Circuits

## 5.2 Plug design

### NOTICE

Improper change of the plug output direction leads to damage to the connecting cables.

Do not exceed the permissible twisting moments as per Fig. 6.

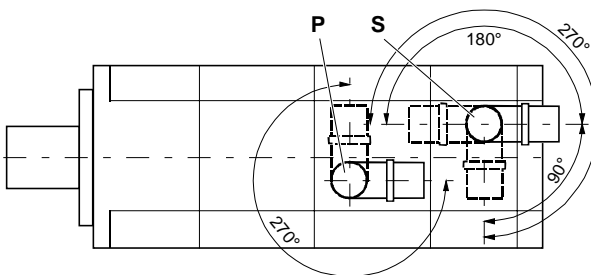
A maximum of ten changes to the plug output direction are permissible up to the stop with the attached, matching, mating plug.

#### Power plug

1. Use plug size 1 or 1.5.
2. Assign the plugs according to figure Fig. 5 Connect the PE conductor.
3. Connect the brake via Fig. 5 the power plug.

**Signal plug** for the encoder system and temperature sensor.

1. Use an appropriate plug.
2. Assign the plugs according to Fig. 5.



**P** Power plug



**S** Signal plug

**Fig. 6 Degree of rotation of plugs**

**Maximum permissible twisting moments  $M_{max}$**

Plug	Motor	Plug size	$M_{max}$
P	1FK7 02. - 1FK7 100	1	$M_{max} = 12 \text{ Nm}$
	1FK7 101 / 1FK7 103	1.5	$M_{max} = 20 \text{ Nm}$
S			$M_{max} = 12 \text{ Nm}$

## 6 Start-up



 <b>CAUTION</b>	
	<p><b>Thermal hazard from hot surfaces!</b>                      The surface temperatures of the motors can reach up to 140 °C (284 °F).  <b>Do not touch hot surfaces!</b>                      Protection must be provided against accidental contact if necessary.                      Temperature-sensitive components (electric lines, electronic components) must not touch hot surfaces.</p>

### 6.1 Checks before starting up

Before starting up, ensure that

- all connections have been properly made, and the plug connectors are secured against working loose.
- all motor protection devices are active,
- the drive is not blocked,
- no other possible sources of danger are present,
- the drive is undamaged (no damage from transport/storage),
- the feather keys in the shaft end (if present) are secured against being thrown out.

## 6.2 Start-up

 <b>WARNING</b>	
	<b>Hazard from rotating rotor!</b> <b>Protect the output elements against accidental contact!</b> <b>Secure feather key (if present) against being thrown out.</b>

Observe the start up and commissioning instructions for the converter (e.g. SIMODRIVE, MASTERDRIVES MC).

<b>NOTICE</b>
<b>The brake is designed for emergency stops (power cut, emergency stop). It is not permitted to be used as a working brake. After the motor has been switched off, it functions as a holding brake.</b>

1. Release brake, in as far as this is necessary.
2. Check the brake function (open and close).  
Apply 24 V DC  $\pm 10\%$  to the pins BR, BR2 (Fig. 5), and ensure that the rotor is running freely (no rubbing noises).
3. Check the mounting, seating and alignment of the motor.
4. Check the suitability and setting of the output elements for the intended conditions of use, for example belt tension.
5. Check the power and signal plug connections.
6. Check the functional condition of the auxiliary devices present.
7. Check the protection against accidental contact with moving and live parts.
8. Bring the drive system into operation in accordance with the operating manual for the converter or inverse rectifier.
9. Check that the maximum permissible speed  $n_{\max}$  is observed (see type plate for details). The maximum permissible speed is the highest permissible, short-term operating speed.
10. The fitted temperature sensor cannot cater for all possible faults (note the instructions in the project planning guide).

## 7 Instructions in case of faults

In case of deviation from normal operation or faults, proceed first according to the following list:

In this connection, please also refer to the relevant section of the operating manual for the components of the entire drive system.

Do not disable the protective devices, even in trial operation.

Consult the manufacturer or the SIEMENS service center when necessary.

For start up, system motor converter: A&D Hotline +49 180 50 50 222

For motor / motor components: Contact in the works +49 174-3110669

Fault	Cause	Remedy
Irregular running	Inadequate screening of the motor or encoder cable.	Check screening and grounding (see Section 5.1)
	Amplification of the drive controller too high	Adjust controller (see converter operating manual)
Vibrations	Coupling elements or driven machine are badly balanced	Rebalance
	Inadequate alignment of the drive train	Realign the machine set
	Fixing screws are loose	Check and tighten screw connections
Running noises	Foreign bodies inside the motor	Repair by the manufacturer
	Bearing damage	Repair by the manufacturer
Motor overheats (surface temperature > 140 °C (284 °F)) Temperature monitoring responds	Drive overloaded	Check load (see type plate)
	Heat dissipation impaired by deposits	Clean surface of drives. Ensure that the cooling air can flow freely in and out

## 8 Inspection, maintenance, disposal

Clean according to the degree of local contamination in order to ensure that the waste heat is adequately dissipated.

As the operating conditions vary greatly, one can only cite general intervals for fault-free operation.

Guidelines:

- Bearing service life 20,000 hours
- Radial shaft seals approx. 5,000 hours with oil lubrication.

### NOTICE


**The encoder system must be readjusted each time after the motor has been disassembled.**

Dispose of the motor in accordance with the national and local regulations in the standard recycling process or return it to the manufacturer.

Dispose of the encoder electronics properly as electronic scrap.

Diese Betriebsanleitung enthält Hinweise, die Sie zu Ihrer persönlichen Sicherheit sowie zur Vermeidung von Sachschäden beachten müssen. Die Hinweise zu Ihrer persönlichen Sicherheit sind durch ein Warndreieck hervorgehoben, Hinweise zu alleinigen Sachschäden stehen ohne Warndreieck. Je nach Gefährdungsgrad werden sie folgendermaßen dargestellt:

 <b>GEFAHR</b>	
Piktogramm	bedeutet, dass Tod, schwere Körperverletzung oder erheblicher Sachschaden eintreten werden, wenn die entsprechenden Vorsichtsmaßnahmen nicht getroffen werden.

 <b>WARNUNG</b>	
Piktogramm	bedeutet, dass Tod, schwere Körperverletzung oder erheblicher Sachschaden eintreten können, wenn die entsprechenden Vorsichtsmaßnahmen nicht getroffen werden.

 <b>VORSICHT</b>	
Piktogramm	mit Warndreieck bedeutet, dass eine leichte Körperverletzung eintreten kann, wenn die entsprechenden Vorsichtsmaßnahmen nicht getroffen werden.

<b>VORSICHT</b>	
ohne Warndreieck bedeutet, dass ein Sachschaden eintreten kann, wenn die entsprechenden Vorsichtsmaßnahmen nicht getroffen werden.	

<b>ACHTUNG</b>	
bedeutet, dass ein unerwünschtes Ereignis oder Zustand eintreten kann, wenn der entsprechende Hinweis nicht beachtet wird.	

## **Qualifiziertes Personal**

Inbetriebsetzung und Betrieb des Gerätes dürfen nur von qualifiziertem Personal vorgenommen werden. Qualifiziertes Personal im Sinne der sicherheitstechnischen Hinweise dieser Betriebsanleitung sind Personen, die die Berechtigung haben, Geräte, Systeme und Stromkreise gemäß den Standards der Sicherheitstechnik in Betrieb zu nehmen, zu erden und zu kennzeichnen.

## **Bestimmungsgemäßer Gebrauch**

Beachten Sie folgendes:

Das Gerät darf nur für die im Katalog und in der Projektierungsanleitung vorgesehenen Einsatzfälle und nur in Verbindung mit von Siemens empfohlenen bzw. zugelassenen Fremdgeräten und -komponenten verwendet werden.

Der einwandfreie und sichere Betrieb des Produktes setzt sachgemäßen Transport, sachgemäße Lagerung, Aufstellung und Montage sowie sorgfältige Bedienung und Instandsetzung voraus.

## **Haftungsausschluss**

Wir haben den Inhalt der Druckschrift geprüft. Dennoch können Abweichungen nicht ausgeschlossen werden, so dass wir für die vollständige Übereinstimmung keine Gewähr übernehmen. Die Angaben in dieser Druckschrift werden regelmäßig überprüft, und notwendige Korrekturen sind in den nachfolgenden Auflagen enthalten. Für Verbesserungsvorschläge sind wir dankbar.

## **© Copyright Siemens AG 2001. All rights reserved**

Weitergabe sowie Vervielfältigung dieser Unterlage, Verwertung und Mitteilung ihres Inhalts ist nicht gestattet, soweit nicht ausdrücklich zugestanden. Zuwiderhandlungen verpflichten zum Schadenersatz.

Alle Rechte vorbehalten, insbesondere für den Fall der Patenterteilung oder GM-Eintragung.

Siemens AG  
Bereich Automatisierungs- und Antriebstechnik  
Geschäftsgebiet Motion Control Systeme (MC)  
D-97615 Bad Neustadt an der Saale

# 1 Allgemeine Sicherheitshinweise

Die Servomotoren entsprechen den harmonisierten Normen der Reihe EN 60034-1, EN 60034-6, EN 60034-9 sowie EN 60204-1.

Für die Drehstrom-Servomotoren 1FK6 besteht Konformität mit 73/23/EWG Niederspannungsrichtlinie.

Standardmotoren entsprechen den UL-Vorschriften. Diese Motoren sind auf dem Leistungsschild mit UR gekennzeichnet.

**Sichern Sie für Ihr Endprodukt die Einhaltung aller bestehenden Rechtsvorschriften! Beachten Sie die verbindlichen nationalen, örtlichen und anlagenspezifischen Vorschriften!**

Drehstrom-Servomotoren sind ausschließlich zum Einbau in (eine) andere Maschine(n) bestimmt.

**Die Inbetriebnahme der Motoren ist so lange untersagt, bis die Konformität des Endprodukts mit den geltenden Richtlinien festgestellt ist.**

Die Betriebsanleitung gilt in Verbindung mit der SIEMENS-Projektierungsanleitung „Drehstrom-Servomotoren“, Best.-Nr. 6SN1197-0AC20-0AP0.

Für Transport, Lagerung, Montage, Demontage und Betrieb der Servomotoren müssen alle Hinweise zur Sicherheit beachtet werden!

Das Nichteinhalten kann schwere Körperverletzungen oder Sachschäden bewirken.

Die Läufer der Motoren enthalten Permanentmagnete mit hohen magnetischen Flussdichten und starken Anziehungskräften zu ferromagnetischen Körpern.

In der Nähe eines demontierten Läufers sind Personen mit Herzschrittmacher gefährdet. Auf elektronischen Datenträgern gespeicherte Daten können zerstört werden.

Der Einsatz in explosionsgefährdeten Bereichen ist verboten, sofern nicht ausdrücklich bestätigt.

## Thermische Gefährdung

Die Oberflächentemperatur der Motoren kann bis 140 °C betragen.

**Berühren Sie nicht heiße Oberflächen!**

Temperaturempfindliche Bauteile (elektrische Leitungen, elektronische Bauteile) dürfen nicht an heißen Oberflächen anliegen.

Überhitzung der Motoren kann Zerstörung der Wicklungen und Lager und Entmagnetisierung der Permanentmagnete bewirken.

**Betreiben Sie die Motoren nur mit wirksamer Temperaturkontrolle!**

## Bestimmungsgemäßer Gebrauch

Das Einhalten aller Vorgaben der Betriebsanleitung und der Projektierungsanleitung „Drehstrom-Servomotoren“ ist Bestandteil der bestimmungsgemäßen Verwendung.

# 2 Angaben zum Produkt

## 2.1 Produktbeschreibung

Motoren der Baureihe 1FK7 sind permanentmagneterregte Drehstrom-Synchron-Motoren (Drehstrom-Servomotoren) zum Betrieb mit motorgesteuerten Pulswechselrichtern nach dem Sinusstromprinzip.

Die Motoren sind vorgesehen für Antrieb und Positionierung von Werkzeug- und Produktionsmaschinen sowie Robotern und Handhabungsgeräten.

## 2.2 Lieferumfang

Die Antriebssysteme sind individuell zusammengestellt. Überprüfen Sie nach Erhalt der Lieferung sofort, ob der Lieferumfang mit den Warenbegleitpapieren übereinstimmt. Für nachträglich reklamierte Mängel übernimmt SIEMENS keine Gewährleistung.

Reklamieren Sie

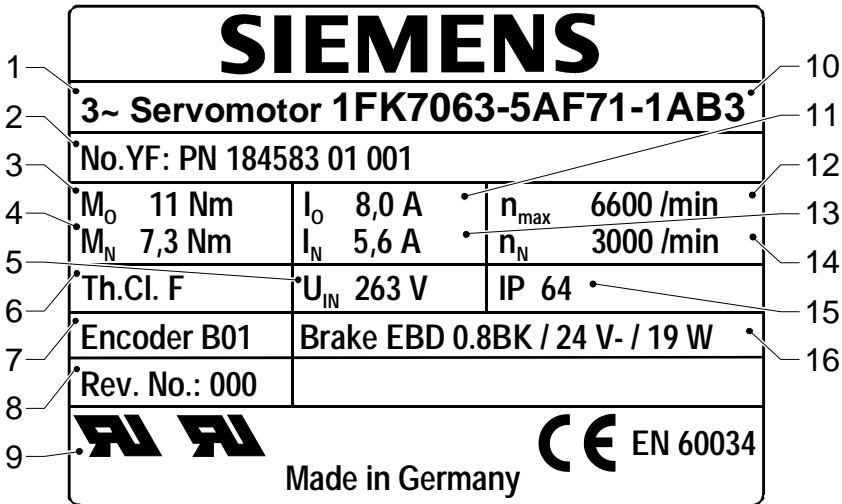
- erkennbare Transportschäden sofort beim Anlieferer,
- erkennbare Mängel/ unvollständige Lieferung sofort bei der zuständigen SIEMENS-Vertretung.

Die Betriebsanleitung ist Bestandteil des Lieferumfanges und somit zugänglich aufzubewahren.

Das der Lieferung lose beigefügte Typenschild ist dafür vorgesehen, die Motordaten zusätzlich an oder bei der Maschine oder Anlage aufzubewahren.

## 3 Technische Daten

### 3.1 Typenschild



**Fig. 1 Typenschild**

- |   |   |
|---|---|
| 1 Motorart: Drehstrom-Servomotor        | 10 SIEMENS Motortyp/ Bezeichnung                              |
| 2 Ident. Nr., Produktionsnummer         | 11 Stillstandsstrom $I_O$ [A]                                 |
| 3 Stillstandsdauerdrehmoment $M_O$ [Nm] | 12 Maximaldrehzahl $n_{max}$ [1/min]                          |
| 4 Bemessungsdrehmoment $M_N$ [Nm]       | 13 Bemessungsstrom $I_N$ [A]                                  |
| 5 Induzierte Spannung $U_{IN}$ [V]      | 14 Bemessungsdrehzahl $n_N$ [1/min]                           |
| 6 Wärmeklasse                           | 15 Schutzart  |
| 7 Kennzeichnung Gebertyp                | 16 Daten zur Haltebremse:<br>Typ, Spannung, Leistungsaufnahme |
| 8 Versionsstand                         |   |
| 9 Normen und Vorschriften               |   |



### 3.2 Merkmale

Bauform (EN 60034-7)	IM B5 (IM V1, IM V3)
Schutzart (EN 60034-5)	IP64
Kühlung (EN 60034-6)	Selbstkühlung
A-bewerteter Schalleistungspegel (EN 60034-9) für Drehzahlbereich bis 3000 min <sup>-1</sup>	
1FK7 02., 1FK7 03., 1FK7 04.	ca. 55 dB(A)
1FK7 06.	ca. 65 dB(A)
1FK7 08., 1FK7 10.	ca. 70 dB(A)
Thermischer Motorschutz (EN 60034-11)	Temperatursensor KTY84 in der Ständerwicklung
Wellenende (DIN 748-3; IEC 60072-1)	Zylindrisch; ohne Passfedernut, Toleranzfeld k6
Rundlauf, Koaxialität, Planlauf (DIN 42955; IEC 60072-1)	Toleranz N
Schwingstärke (EN 60034-14)	Stufe N
Lager	Wälzlager mit Fettdauerschmierung (Lebensdauerschmierung) Festlager auf B-Seite
Lagergebrauchsdauer	20000 h (Richtwert)
Wicklungsisololation (EN 60034-1)	Wärmeklasse F
Umgebungstemperaturen	-15 °C bis +40 °C (5 °F bis 104 °F) sonst Reduzierung der Nenndaten bis 50 °C Leistung Faktor 0,92 bis 60 °C Leistung Faktor 0,82
Aufstellhöhe (EN 60034-1)	≤ 1000 m über NN, 2000 m Leistung Faktor 0,94 2500 m Leistung Faktor 0,9
Magnetmaterial	Selten-Erd-Material
Elektrischer Anschluss	drehbare Stecker für Leistung und Gebersignale
Gebersystem	eingebauter Geber - Erfassung der Drehzahl - Erfassung der Rotorlage - indirekte Lageerfassung
Weitere technische Kennwerte, Maßblätter nach Projektierungsanleitung „Drehstrom-Servomotoren“, Best.-Nr. 6SN1197-0AC20-0AP0.	


### Optionen/Erweiterungen

Baureihe geringer Trägheit	HD (High Dynamic)
Schutzart (EN 60034-5)	IP 65; zusätzlich AS-Flansch IP67
Ein-/Anbauten	- Ruhestromhaltebremse (DIN VDE 0580) Anschlussspannung 24 V DC ±10%

Gebersystem	<ul style="list-style-type: none"> <li>- Planetengetriebe</li> <li>- Inkrementalgeber sin/cos 1 V<sub>PP</sub></li> <li>- Absolutwertgeber EnDat</li> <li>- Einfach-Absolutwertgeber</li> <li>- Resolver</li> </ul>
Wellenende (DIN 748-3; IEC 60072-1)	zylindrisch mit Passfedernut und Passfeder; Toleranzfeld k6 (Wuchtung mit halber Passfeder)
Weitere technische Angaben, z.B. Motorabmessungen, finden Sie im Katalog NC 60 oder DA 65.3.	

## 4 Aufstellung, Montage

### 4.1 Transport, Lagerung

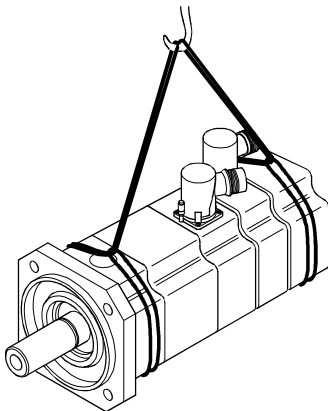
<b>⚠️ WARNUNG</b>	
	<p><b>Gefährdung bei Hebe- und Transportvorgängen!</b>  <b>Unsachgemäße Ausführung, ungeeignete oder schadhafte Geräte und Hilfsmittel können Verletzungen und/oder Sachschäden bewirken.</b>  <b>Hubgeräte, Flurförderzeuge und Lastaufnahmemittel müssen den Vorschriften entsprechen.</b></p>

Für Transport und Montage geeignete Lastaufnahmemittel benutzen.

Hebeösen für den Transport der Motoren verwenden, wenn vom Hersteller vorgesehen.

Lastaufnahmemittel nach 98/37/EG Richtlinie für Maschinen, Anhang I.

Die Motoren haben eine Masse bis zu 50 kg. Genaue Angaben siehe Katalog bzw. Maßblatt.



**Fig. 2 Heben und Transportieren mit Schlaufenhebegurten**

Beim Transport landesspezifische Vorschriften einhalten.

Die Lagerung erfolgt im trockenen, staub- und schwingungsarmen ( $v_{\text{eff}} < 0,2 \text{ mms}^{-1}$ ) Innenraum.

## 4.2 Aufstellung

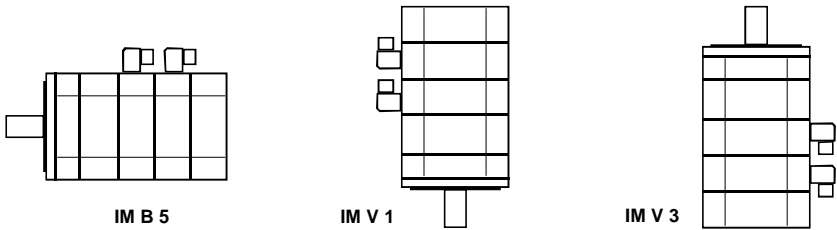


Fig. 3 Bauformen

- Angaben des Leistungsschildes, Warn- und Hinweisschilder am Motor beachten.
- Zulässige Quer- und Axialkräfte beachten (siehe Projektierungsanleitung). Bei Motoren mit integrierter Bremse sind Axialkräfte nicht zulässig.
- Übereinstimmung mit den Bedingungen (z.B. Temperaturen, Aufstellhöhe) am Montageort prüfen (siehe 3.2).
- Der Einsatz in explosionsgefährdeten Bereichen ist verboten.
- Wellenende gründlich von Korrosionsschutzmittel befreien (handelsübliche Lösungsmittel verwenden).
- Ausreichende Abführung der Verlustwärme sichern.  
Es wird empfohlen, an mindestens drei Seiten Abstände von 100 mm zu benachbarten Teilen einzuhalten.
- Gleichmäßige Auflage der Flanschbefestigung beachten, Verspannungen beim Anziehen der Befestigungsschrauben vermeiden. Zylinderschrauben mit Innensechskant, Festigkeitsklasse mindestens 8.8 verwenden.
- Bei vertikaler Aufstellung mit Wellenende nach oben sicherstellen, dass keine Flüssigkeit in das obere Lager eindringen kann.
- Eingeschraubte Hebeösen können nach dem Aufstellen entfernt werden.
- Abtriebs Elemente von Hand drehen. Bei möglichen Schleifgeräuschen die Ursache beseitigen oder den Hersteller konsultieren.

### Immitierte Schwingungen, Wuchtung

Motoren mit Passfedernut werden durch den Hersteller mit halber Passfeder ausgewuchtet. Das Schwingverhalten des Systems am Einsatzort wird beeinflusst durch Abtriebs Elemente, Anbauverhältnisse, Ausrichtung, Aufstellung und Fremdschwingungen. Damit können sich die Schwingwerte des Motors ändern.

Die immitierten Schwingungen im eingebauten Zustand dürfen Beschleunigungen von 5 g nicht überschreiten.

### Abtriebs Elemente

#### ACHTUNG

**Welle und Lager der Motoren nicht mit Schlägen belasten.  
Zulässige Axial- und Radialkräfte auf das Wellende nach  
Projektierungsvorschrift nicht überschreiten.  
Bei Motoren mit integrierter Bremse sind Axialkräfte nicht zulässig.**

Auf- und Abziehen von Abtriebs Elementen (z. B. Kupplung, Zahnrad, Riemenscheibe) nur mit geeigneten Vorrichtungen ausführen (Fig. 4).

- Gewindebohrung im Wellenende benutzen.
- Abtriebs Elemente bei Bedarf erwärmen.
- Beim Abziehen Zwischenscheibe zum Schutz der Zentrierung im Wellenende benutzen.
- Bei Bedarf Motor mit Abtriebs Elementen nach ISO1940 komplett auswuchten.

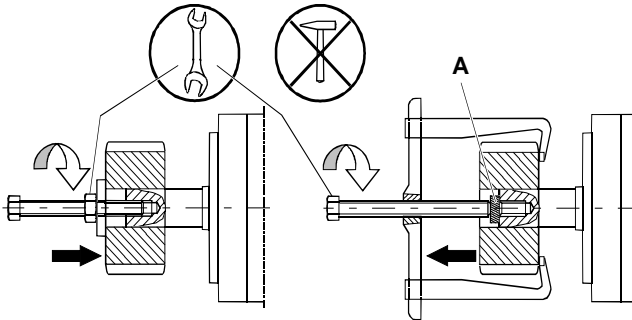


Fig. 4 Auf- und Abziehen von Abtriebs Elementen

A Zwischenscheibe (Schutz der Zentrierung im Wellenende)

## 5 Elektrischer Anschluss

### 5.1 Wichtige Hinweise

<b>! GEFAHR</b>	
	<p><b>Stromschlaggefahr!</b>                  Bei rotierendem Läufer liegt an den Motorklemmen Spannung von ca. 300 V an.  <b>Alle Elektroarbeiten nur bei Motorstillstand ausführen!</b>  <b>Für Montagearbeiten an Umrichter und Stecker nur qualifizierte Fachkräfte einsetzen!</b>  <b>Vorschriften für Arbeiten in elektrotechnischen Anlagen einhalten!</b></p>

Sicherheitsregeln für das Arbeiten in elektrischen Anlagen nach EN 50110-1 (DIN VDE 0105-100):

- Nur im spannungslosen Zustand arbeiten.
- Freischalten.
- Gegen Wiedereinschalten sichern.
- Spannungsfreiheit feststellen.
- Erden und Kurzschließen.
- Benachbarte, unter Spannung stehende Teile abdecken oder abschränken.
- Freigabe zur Arbeit.
- Schutzleiter an anschließen!

**Montageanforderungen****VORSICHT****Warnung vor Motorschäden!**

**Der direkte Anschluss an das Drehstromnetz führt zur Zerstörung des Motors.**

**Motoren nur mit den projektierten Umrichtern betreiben!**

**Richtige Phasenfolge beachten!**

**Gebersysteme und Temperatursensor sind elektrostatisch gefährdete Bauteile (EGB).**

**Berühren Sie nicht die Anschlüsse mit den Händen oder Werkzeugen, die elektrostatisch aufgeladen sein können!**

Konfektionierte Leitungen von SIEMENS werden empfohlen (nicht im Lieferumfang). Diese Leitungen verringern den Montageaufwand und erhöhen die Betriebsicherheit.

- Sachgerechte Installation liegt in der Verantwortung des Herstellers der Anlage/ Maschine.
- Daten des Typenschildes (Kap. 3.1) und Angaben der Schaltbilder (Fig. 5) beachten.
- Anschlussleitungen der Verwendungsart, den auftretenden Spannungen und Stromstärken anpassen.
- Bei Umrichterspeisung können hochfrequente Strom- und Spannungsschwingungen in den Motorzuleitungen elektromagnetische Störungen bewirken. Abgeschirmte Leistungs- und Signalleitungen verwenden. EMV-Hinweise des Umrichterherstellers beachten.
- Das Innere des Steckers muss sauber und frei von Leitungsresten und Feuchtigkeit sein.
- Abstehende Drahtenden vermeiden.
- Dichtungen und Dichtflächen der Stecker prüfen, damit Schutzart eingehalten wird.
- Anschlussleitungen mit Verdreh-, Zug- und Schubentlastung sowie Knickschutz versehen. Dauerkräfte auf die Stecker sind nicht zulässig.
- Codiernut der Steckverbindung muss jeweils fluchtend in den Buchsenstecker eingeführt und Überwurfmutter von Hand bis zum Anschlag fest angezogen sein.

Bei hoher thermischer Belastung, z. B. Überlastung bei Motorstillstand, kann die Schutzfunktion mit eingebautem Temperatursensor nicht ausreichend sein. Für diese Fälle zusätzliche Schutzmaßnahmen vorsehen, z.B. thermisches Überstromrelais.

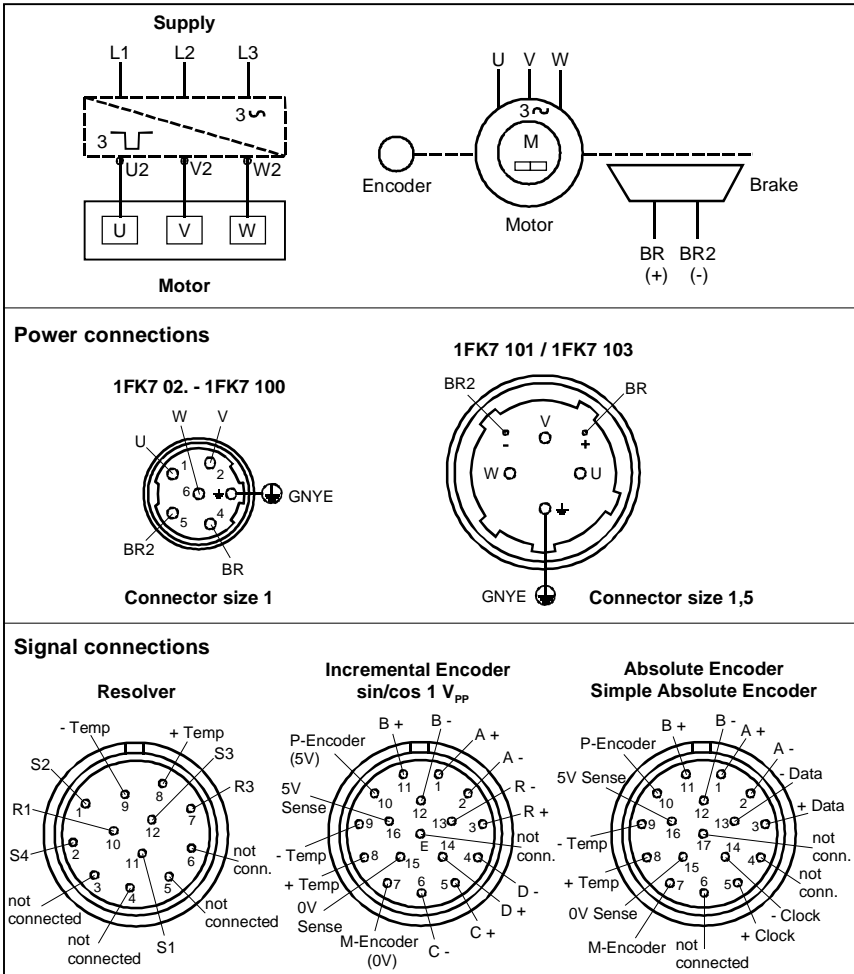


Fig. 5 Schaltungen

## 5.2 Steckerausführung

### ACHTUNG

Unschlagmäßige Änderung der Steckerabgangsrichtung führt zu Schäden an den Anschlussleitungen.

Zulässige Verdrehmomente nach Fig. 6 nicht überschreiten.

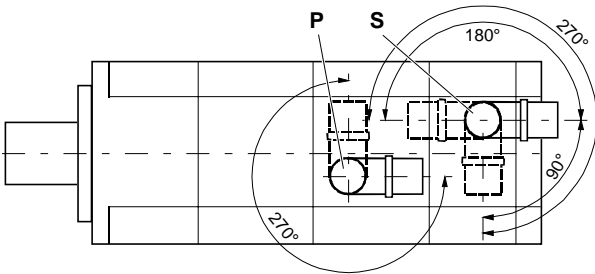
Es sind nur maximal zehn Änderungen der Steckerabgangsrichtung mit dem aufgesetzten passenden Gegenstecker bis zum Anschlag zulässig.

#### Leistungsstecker

1. Stecker Größe 1 oder Größe 1,5 verwenden.
2. Steckerbelegung nach Fig. 5 ausführen, Schutzleiter anschließen.
3. Bremse über Leistungsstecker nach Fig. 5 anschließen.

**Signalstecker** für Gebersystem und Temperatursensor

1. Passenden Stecker verwenden.
2. Steckerbelegung nach Fig. 5 ausführen.



**P** Leistungstecker


**S** Signalstecker

**Fig. 6** Verdrehbarkeit der Stecker

**Maximal zulässige Verdrehmomente  $M_{max}$**

Stecker	Motor	Steckergröße	$M_{max}$
P	1FK7 02. - 1FK7 100	1	$M_{max} = 12 \text{ Nm}$
	1FK7 101 / 1FK7 103	1.5	$M_{max} = 20 \text{ Nm}$
S			$M_{max} = 12 \text{ Nm}$

## 6 Inbetriebnahme


<b>⚠ VORSICHT</b>	
	<p><b>Thermische Gefährdung durch heiße Oberflächen!</b>                  Die Oberflächentemperatur der Motoren kann bis 140 °C betragen.  <b>Heiße Oberflächen nicht berühren!</b>                  Bei Bedarf Berührungsschutz vorsehen!                  Temperaturempfindliche Bauteile (elektrische Leitungen, elektronische Bauteile) dürfen nicht an heißen Oberflächen anliegen.</p>

### 6.1 Prüfungen vor Inbetriebnahme

Vergewissern Sie sich vor der Inbetriebnahme, dass

- alle Anschlüsse ordnungsgemäß ausgeführt wurden und die Steckverbinder gegen Lösen gesichert sind,
- alle Motorschutzeinrichtungen aktiv sind,
- der Antrieb nicht blockiert ist,
- keine anderen Gefahrenquellen vorhanden sind,
- der Antrieb unbeschädigt ist (keine Schäden durch Transport/Lagerung),
- die Passfedern im Wellenende (sofern vorhanden) gegen Herausschleudern gesichert sind.

## 6.2 Inbetriebnahme

<b>⚠️ WARNUNG</b>	
	<b>Gefährdung durch rotierenden Läufer!</b> <b>Abtriebs Elemente mit Berührungsschutz sichern!</b> <b>Passfeder (sofern vorhanden) gegen Herausschleudern sichern!</b>

Berücksichtigen Sie die Inbetriebnahmeanleitung des Umrichters (z. B. SIMODRIVE, MASTERDRIVES MC).

<b>ACHTUNG</b>	
<b>Die Bremse ist für Notstopps (Stromausfall, Not-Aus) ausgelegt.</b> <b>Der Einsatz als Arbeitsbremse ist nicht zulässig.</b> <b>Nach Abschalten des Motors Wirkung als Haltebremse.</b>	

1. Bremse öffnen, sofern erforderlich.
2. Funktion (Öffnen und Schließen) der Bremse prüfen.  
Dazu an Pins BR, BR2 (Fig. 5) 24 V DC  $\pm 10\%$  anlegen und freien Lauf des Läufers (keine Schleifgeräusche) feststellen.
3. Montage des Motors, Festsitz und Ausrichtung prüfen.
4. Eignung und Einstellung der Abtriebs Elemente für die vorgesehenen Einsatzbedingungen prüfen, z.B. Riemen spannung.
5. Leistungs- und Signalsteckerverbindung prüfen.
6. Funktionsfähigkeit der Zusatzeinrichtungen (sofern vorhanden) prüfen.
7. Berührungsschutzmaßnahmen für bewegte und spannungsführende Teile prüfen.
8. Antriebssystem entsprechend der Betriebsanleitung des Um- bzw. Wechselrichters in Betrieb nehmen.
9. Einhalten der maximal zulässigen Drehzahl  $n_{\max}$  prüfen (Angabe siehe Typenschild).  
Die maximal zulässige Drehzahl ist die höchste kurzzeitig zulässige Betriebsdrehzahl.
10. Der eingebaute Temperatursensor kann nicht alle denkbaren Störfälle abdecken (Hinweise in der Projektierungsanleitung beachten).

## 7 Hinweise bei Störungen

Bei Veränderungen gegenüber dem normalen Betrieb oder Störungen gehen Sie zuerst anhand der nachfolgenden Auflistung vor.

Beachten Sie hierzu auch die entsprechenden Kapitel in den Betriebsanleitungen der Komponenten des gesamten Antriebssystems.

Schutzeinrichtungen auch im Probetrieb nicht außer Funktion setzen.

Bei Bedarf Hersteller oder SIEMENS-Servicezentrum konsultieren.

Für Inbetriebnahme, System Motor-Umrichter: A&D Hotline 0180 50 50 222

Für Motor/Motorkomponenten: Rückfrage im Werk 0174-3110669



Störung	Ursache	Beseitigung
Unruhiger Lauf	Schirmung der Motor- oder Geberleitung unzureichend	Schirmung und Erdung überprüfen (siehe Kap. 5.1 )
	Verstärkung des Antriebsreglers zu groß	Regler anpassen (siehe Betriebsanleitung Umrichter)
Vibrationen	Kupplungselemente oder Arbeitsmaschine schlecht ausgewuchtet	Nachwuchten
	Mangelnde Ausrichtung des Antriebsstranges	Maschinensatz neu ausrichten
	Befestigungsschrauben locker	Schraubverbindungen kontrollieren und sichern
Laufgeräusche	Fremdkörper im Motorinneren	Reparatur durch Hersteller
	Lagerschaden	Reparatur durch Hersteller
Motor wird zu warm (Oberflächentemperatur >140 °C) Temperaturüberwachung spricht an	Überlastung des Antriebes	Belastung überprüfen (siehe Typenschild)
	Wärmeabfuhr durch Ablagerungen behindert	Oberfläche der Antriebe reinigen Für ungehinderte Zu- und Abfuhr der Kühlluft sorgen

## 8 Inspektion, Wartung, Entsorgung

Je nach örtlichem Verschmutzungsgrad Reinigung vornehmen, um eine ausreichende Abführung der Verlustwärme sicherzustellen.

Da die Betriebsverhältnisse sehr unterschiedlich sind, können nur allgemeine Fristen bei störungsfreiem Betrieb genannt werden.

Richtwerte:

- Lagergebrauchsdauer 20.000 Stunden
- Radialwellendichtringe ca. 5.000 Stunden bei Ölschmierung.

### ACHTUNG

**Nach jeder Demontage des Motors muss das Gebersystem neu justiert werden.**

Entsorgung der Motoren unter Einhaltung der nationalen und örtlichen Vorschriften im normalen Wertstoffprozess oder Rückgabe an den Hersteller.

Die Geberelektronik fachgerecht als Elektronikschrott entsorgen.

Ce mode d'emploi contient des conseils que vous devez respecter pour assurer votre sécurité personnelle et éviter tout dommage matériel. Les conseils pour votre sécurité personnelle sont précédés d'un triangle de mise en garde; les conseils n'ayant trait qu'aux dommages matériels ne sont pas précédés d'un tel triangle. Selon leur degré de dangerosité, ils sont représentés comme suit :

 <b>DANGER</b>	
Pictogramme	signifie que lorsque les mesures de sécurité correspondantes ne sont pas adoptées, il y a risque de mort, de blessures corporelles ou de dégâts matériels graves.

 <b>AVERTISSEMENT</b>	
Pictogramme	signifie que lorsque les mesures de sécurité correspondantes ne sont pas adoptées, il peut exister un risque de mort, de blessures corporelles ou de dégâts matériels graves.

 <b>ATTENTION</b>	
Pictogramme	avec un triangle de mise en garde signifie qu'il y a risque de blessure corporelle légère lorsque les mesures de sécurité correspondantes ne sont pas adoptées.

<b>ATTENTION</b>	
sans triangle de mise en garde signifie qu'il y a risque de dégât matériel lorsque les mesures de sécurité correspondantes ne sont pas adoptées.	

<b>INDICATION</b>	
signifie qu'une situation ou un événement non désiré peuvent survenir lorsque le conseil n'est pas observé.	

**Personnel qualifié**

Seul un personnel qualifié est autorisé à mettre l'appareil en marche et à en assurer le fonctionnement. Dans l'esprit des conseils au niveau des techniques de sécurité, le personnel qualifié est composé des personnes autorisées à mettre en service, à mettre à la terre et à marquer les appareils, les systèmes et les circuits électriques.

**Utilisation conforme**

Veuillez respecter les exigences suivantes :

L'appareil ne peut être utilisé que dans les cas d'utilisation prévus au catalogue et dans les instructions de projection et ce, uniquement en relation avec les appareils et composants étrangers conseillés ou agréés par Siemens.

L'exploitation sans problèmes et sûre du produit sous-entend un transport approprié, un stockage, une installation et un montage appropriés préalables, ainsi qu'un maniement et un maintien en état scrupuleux.

**Exemption de responsabilité**

Nous avons vérifié le contenu du texte imprimé. Cependant, comme des divergences ne peuvent pas être exclues, nous ne pouvons garantir une concordance intégrale. Les données reprises dans cette brochure sont revues régulièrement et les corrections nécessaires sont apportées dans les éditions suivantes. Nous vous sommes reconnaissants pour toute suggestion d'amélioration.

**© Copyright Siemens AG 2001. Tous droits réservés**

La diffusion ainsi que la reproduction de ce document, l'exploitation et la divulgation de son contenu sont interdites dans la mesure où elles n'ont pas été autorisées explicitement. Les infractions sont sujettes à indemnisation.

Tous droits réservés, particulièrement en cas de délivrance de brevet ou d'enregistrement du produit.

Siemens AG  
Bereich Automatisierungs- und Antriebstechnik  
Geschäftsgebiet Motion Control Systeme (MC)  
D-97615 Bad Neustadt an der Saale

## 1 Consignes générales de sécurité

Les servomoteurs sont conformes aux normes harmonisées de la série EN 60034-1, EN 60034-6, EN 60034-9 et EN 60204-1.

Les servomoteurs triphasés 1FK6 sont en conformité avec 73/23/CEE la Directive de basse tension.

Les moteurs standard sont conformes aux normes UL. Ces moteurs sont indiqués par l'abréviation UR sur la plaque signalétique.

**Veillez à assurer pour votre produit final le respect de toutes les prescriptions légales ! Les prescriptions et exigences nationales, locales ou spécifiques à l'installation doivent être respectées.**

Les servomoteurs triphasés sont exclusivement destinés à être montés sur une ou plusieurs autre(s) machine(s).

**Les moteurs ne doivent pas être mis en service tant que la conformité du produit final avec les directives en vigueur n'a pas été établie.**

Le mode d'emploi doit être utilisé en liaison avec les instructions de configuration SIEMENS « Servomoteurs triphasés », Réf. 6SN1197-0AC20-0AP.

Il y a lieu de respecter tous les instructions de sécurité pour le transport, l'installation, le montage, la dépose et l'exploitation des servomoteurs triphasés !

Le non-respect de ces instructions peut engendrer des blessures corporelles ou des dommages matériels graves.

Les rotors des moteurs contiennent des aimants permanents à flux magnétique intense exerçant une force d'attraction importante sur les corps ferromagnétiques.

Les rotors démontés présentent un risque pour les personnes qui portent un stimulateur cardiaque. Les données enregistrées sur supports électroniques peuvent être détruites.

L'utilisation dans des zones menacées par les explosions est interdite, à moins que le moteur n'ait été spécialement conçu à cet effet.

### Menace thermique

Les températures superficielles des moteurs peuvent atteindre de près de 140 °C.

**Ne touchez pas les surfaces chaudes !**

Les éléments sensibles à la température (câbles électriques, composants électroniques) ne peuvent pas toucher les surfaces chaudes.

Une surchauffe des moteurs peut détruire les enroulements et les paliers et démagnétiser les aimants permanents.

**Ne pas utiliser les moteurs si le dispositif de contrôle de la température n'est pas en état de marche !**

### Utilisation conforme

L'observation de toutes les directives du mode d'emploi et des instructions de configuration « Servomoteurs triphasés » constitue une composante de l'utilisation conforme aux stipulations.

## 2 Indications relatives au produit

### 2.1 Description du produit

Les moteurs de la série 1FK7 sont des moteurs synchrones à courant triphasé et aimants permanents (servomoteurs triphasés) destinés à être utilisés avec des onduleurs à commande par moteur selon le principe du courant sinusoïdal.

Les moteurs sont conçus pour actionner et positionner des machines-outils et des appareils de production, ainsi que des robots et des manipulateurs.

## 2.2 Equipements fournis

Les systèmes d'entraînement sont configurés individuellement. A la réception des moteurs, vérifier immédiatement que les marchandises livrées sont bien conformes au bordereau d'accompagnement. SIEMENS décline toute responsabilité en cas de réclamation ultérieure.

Adresser la réclamation

- directement au livreur en cas de dommages survenus lors du transport,
- dans les meilleurs délais à la succursale SIEMENS responsable en cas de dommages visibles/de livraison incomplète.

Le mode d'emploi fait partie des accessoires fournis et doit donc être conservé dans un endroit accessible.

La plaque signalétique livrée avec le moteur est destinée à être placée sur la machine ou l'installation ou à proximité afin de pouvoir consulter à tout moment les caractéristiques du moteur.

## 3 Caractéristiques techniques

### 3.1 Plaque signalétique

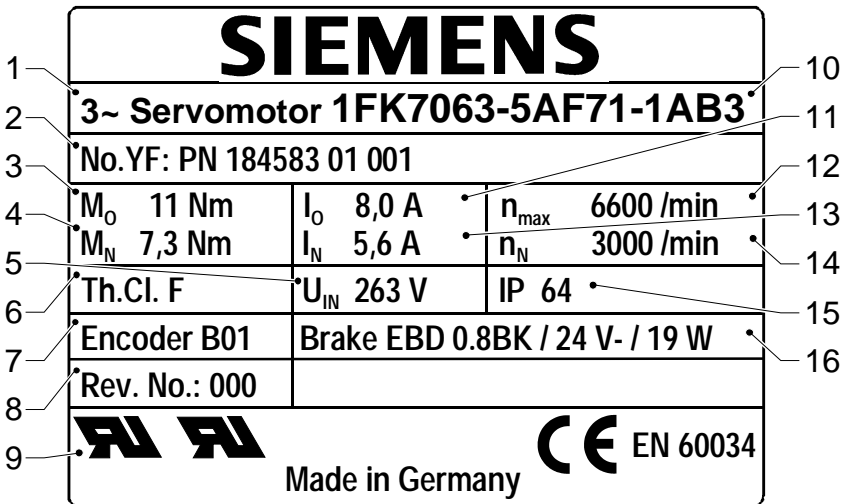


Fig. 1 Plaque signalétique

- |   |   |
|---|---|
| <p>1 Type de moteur : Servomoteurs triphasés</p> <p>2 Identifiant, numéro de production</p> <p>3 Couple permanent d'arrêt <math>M_0</math> [Nm]</p> <p>4 Couple de rotation nominal <math>M_N</math> [Nm]</p> <p>5 Tension induite <math>U_{IN}</math> [V]</p> <p>6 Classe d'isolation thermique</p> <p>7 Marquage du type de transmetteur</p> <p>8 Version</p> <p>9 Normes et directives</p> | <p>10 Type de moteur/ appellation SIEMENS</p> <p>11 Courant d'arrêt <math>I_0</math> [A]</p> <p>12 Régime maximal <math>n_{max}</math> [tr·mn]</p> <p>13 Courant de calcul <math>I_N</math> [A]</p> <p>14 Régime de calcul <math>n_N</math> [tr·mn]</p> <p>15 Protection</p> <p>16 Données relatives au frein d'arrêt : type, tension, puissance absorbée</p> |
|---|---|

### 3.2 Caractéristiques

Types de construction (EN 60034-7)	IM B5 (IM V1, IM V3)
Type de protection (EN 60034-5)	IP64
Refroidissement (EN 60034-6)	Refroidissement naturel
Niveau de puissance sonore pondéré par coefficient A (EN 60034-9)	
lorsque le régime est inférieur à 3000 tr-mn	
1FK7 02., 1FK7 03., 1FK7 04.	55 dB(A) env.
1FK7 06.	65 dB(A) env.
1FK7 08., 1FK7 10.	70 dB(A) env.
Protection thermique du moteur (EN 60034-11)	Sonde thermométrique KTY84 intégré dans l'enroulement du stator
Bout d'arbre (DIN 748-3; IEC 60072-1)	cylindrique ; sans rainure, zone de tolérance k6
Concentricité, coaxialité, axialité (DIN 42955; IEC 60072-1)	Tolérance N
Force de vibration (EN 60034-14)	de niveau N
Palier	Palier à roulement à lubrification permanente (lubrification à vie) Palier fixe côté B
Durée d'utilisation des paliers	20000 h (valeur indicative)
Isolation de l'enroulement (EN 60034-1)	Classe d'isolation thermique F
Températures ambiantes	de -15 °C à +40 °C (de 5 °F à 104 °F) sinon réduction des caractéristiques nominales moins de 50 °C, facteur de puissance 0,92 moins de 60 °C, facteur de puissance 0,82
Hauteur de montage (EN 60034-1)	≤ 1000 m au-dessus du niveau de la mer 2000 m, facteur de puissance 0,94 2500 m, facteur de puissance 0,9
Composition des aimants	Terres rares
Raccordement électrique	Prises pivotables pour la puissance et les signaux de transmission
Système de transmission	Transmetteur intégré - Saisie du régime - Saisie de la position du rotor - Saisie indirecte de la position
Autres valeurs caractéristiques, fiches techniques selon les instructions de configuration « Servomoteurs triphasés », Réf. 6SN1197-0AC20-0AP.	

#### Options/Extensions

Série à faible inertie	HD (High Dynamic)
Type de protection (EN 60034-5)	IP 65; bride AS supplémentaire IP67
Éléments encastrés/rapportés	- Frein d'arrêt à courant continu (DIN VDE 0580) Tension de raccordement 24 V DC ±10% - Engrenage planétaire

Système de transmission	- Transmetteur incrémental 1 V <sub>PP</sub> - Transmetteur de valeur absolue EnDat - Transmetteur de valeur absolue simple - Résolveur
Bout d'arbre (DIN 748-3; IEC 60072-1)	cylindrique à rainure et languette ; zone de tolérance k6 (équilibrage avec demie languette)

Vous trouverez d'autres données techniques, par ex. les dimensions du moteur, dans le catalogue NC 60 ou DA 65.3.

## 4 Installation, montage

### 4.1 Transport, positionnement

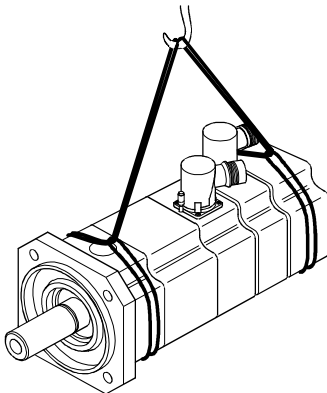
<b>⚠ AVERTISSEMENT</b>	
	<p><b>Danger en cas de levage et de transport !</b>  <b>Une réalisation incorrecte, des outils et des moyens inappropriés ou défectueux peuvent occasionner des blessures et /ou des dégâts matériels.</b>  <b>Les instruments de levage, de déplacement et les porte-charges doivent satisfaire aux prescriptions en vigueur.</b></p>

Utiliser des dispositifs de suspension de charge adéquats lors du transport et du montage.

Utiliser des boucles de levage pour transporter les moteurs si c'est prévu par le constructeur.

Dispositifs de suspension de charge conformément à la directive 98/37/CEE sur les machines, annexe I.

Les moteurs ont une masse maximale de 50 kg. Pour connaître les données précises, voir le catalogue ou la fiche des cotes.



**Fig. 2 Levage et transport avec des sangles enroulables**

Respecter les directives nationales en vigueur lors du transport.

Les moteurs doivent être entreposés dans une pièce sèche, à l'abri de la poussière et des vibrations ( $v_{\text{eff}} < 0,2 \text{ mms}^{-1}$ ).

## 4.2 Installation

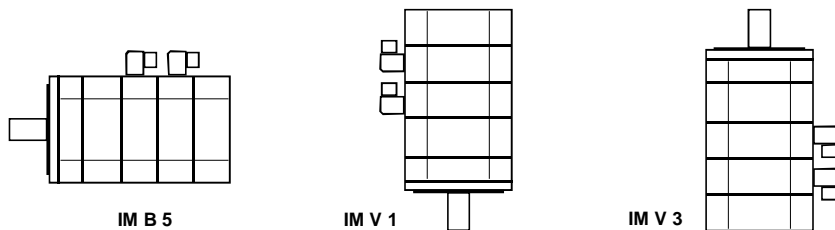


Fig. 3 Types de construction

- Respecter les indications de la plaque signalétique, plaques d'avertissement et panneaux indicateurs situés sur le moteur.
- Respect des forces transversales et axiales (voir les instructions de configuration). Les forces axiales ne sont pas autorisées dans le cas de moteurs à frein intégré.
- Vérifier la conformité avec les conditions (par ex. températures, hauteur de montage) sur le lieu d'installation (voir chapitre 3.2).
- L'utilisation dans des zones menacées par les explosions est interdite.
- Retirer toutes les traces de produits anti-corrosifs sur le bout de l'arbre d'entraînement (utiliser des solvants vendus dans le commerce).
- Prendre les mesures nécessaires pour garantir l'évacuation de la chaleur libérée. Il est recommandé de laisser un espace de 100 mm ou plus par rapport aux autres pièces sur trois côtés au moins.
- Vérifier que la fixation par bride est uniforme, éviter toute déformation en serrant les vis de fixation. Utiliser des vis à tête cylindrique à six pans creux de classe de résistance de 8.8 au moins.
- En cas de montage vertical avec le bout d'arbre vers le haut, faire attention à ce qu'aucun liquide ne puisse pénétrer dans le palier supérieur.
- Après l'installation, les œillets de levage peuvent être démontés.
- Faire tourner les organes de transmission à la main. En cas de bruits de frottement, remédier à la cause ou consulter le fabricant.

### Vibrations, Équilibrage

Les moteurs avec rainure sont équilibrés par le constructeur à l'aide d'une demie languette. Le comportement aux vibrations du système sur le lieu d'utilisation est influencé par les organes de transmission, éléments de sortie, les rapports des annexes, l'orientation, le placement et les vibrations étrangères. Les valeurs de vibration du moteur peuvent ainsi se modifier.

Les oscillations imitées à l'état intégré ne doivent pas dépasser des accélérations de 5 g.

### Organes de transmission

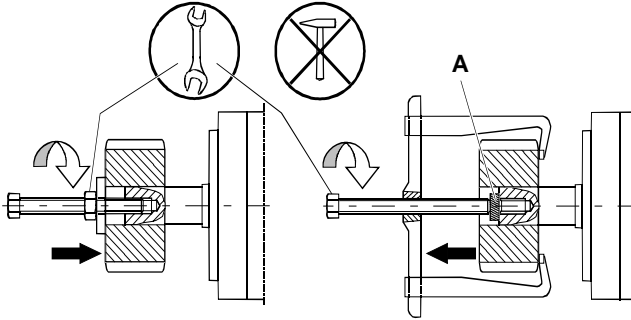
#### INDICATION

**Ne pas soumettre l'arbre et les paliers des moteurs à des chocs. Respecter les limites autorisées indiquées dans les consignes de configuration pour les forces axiales et radiales s'exerçant sur le bout d'arbre. Les forces axiales ne sont pas autorisées dans le cas de moteurs à frein intégré.**



L'emmanchement et l'extraction des organes de transmission (par ex. embrayage, roue dentée, poulie à courroie) devront se faire avec les dispositifs appropriés (Fig. 4).

- Utiliser l'alésage fileté sur le bout d'arbre.
- Réchauffer si besoin les éléments entraînés.
- Lors du démontage, utiliser la rondelle intermédiaire pour protéger le centrage en bout d'arbre.
- Au besoin, équilibrer entièrement le moteur avec les éléments de sortie selon ISO1940.



**Fig. 4 Emmanchement et l'extraction des organes de transmission**  
A Rondelle intermédiaire (protection du centrage en bout d'arbre)

## 5 Raccordement électrique

### 5.1 Consignes importantes

<b>⚠ DANGER</b>	
	<b>Risque de décharge électrique !</b>
	<b>Lorsque le rotor est en marche, la tension au niveau des bornes du moteur est d'environ 300 V.</b>
	<b>Ne procéder à des travaux électriques que si le moteur est à l'arrêt !</b>
	<b>Les travaux sur le convertisseur et les prises doivent être confiés exclusivement à des techniciens qualifiés !</b>
<b>Respecter les prescriptions relatives aux travaux exécutés dans des installations électrotechniques !</b>	

Règles de sécurité lors de travaux dans des installations électriques selon EN 50110-1 (DIN VDE 0105-100) :

- Ne jamais travailler sous tension.
- Mettre hors tension.
- Condamner les appareils contre le réenclenchement.
- Vérifier l'absence de tension.
- Mettre à la terre et court-circuiter.
- Recouvrir les parties actives voisines ou en barrer l'accès.
- Autorisation d'effectuer le travail.
- Raccorder le conducteur de protection à !

**Exigences de montage****ATTENTION**

**Mise en garde contre les dégâts dus au moteur !**

**Le raccordement direct au réseau triphasé provoque la destruction du moteur.**

**Faire fonctionner les moteurs uniquement avec les survolteurs prévus !**

**Respectez l'ordre correct des phases !**

**Les capteurs et le sonde thermométrique sont des constituants sensibles aux décharges électrostatiques (CSDE).**

**Ne touchez pas les raccordements avec les mains ou avec des outils susceptibles d'être chargés d'électricité statique !**

Il est recommandé d'utiliser des conducteurs surmoulés SIEMENS (non fournis). Ces conducteurs facilitent le montage et accroissent la sécurité d'exploitation.

- L'installation appropriée est de la responsabilité du constructeur de l'installation / de la machine.
- Respecter les données indiquées sur la plaque signalétique (chapitre 3.1) et sur les schémas de connexion (Fig. 5).
- Adapter les canalisations de raccordement au type d'utilisation, aux tensions et aux intensités du courant.
- En cas d'amplification de l'alimentation, les fluctuations de courant et de voltage dans les alimentations du moteur peuvent engendrer des perturbations électromagnétiques. Utiliser des conduites de puissance et de signalisation écranées. Respecter les instructions EMV du fabricant du convertisseur de fréquence.
- L'intérieur de la prise doit être propre et exempt de tout reste de canalisation et d'humidité.
- Éviter les extrémités de fils saillantes.
- Vérifier les joints et les surfaces d'étanchéité de la prise, afin d'assurer le type de protection.
- Munir les conduites de raccordement d'une protection contre la torsion, la traction, la poussée et la flexion. Il est interdit d'exercer des forces continues sur les prises.
- Introduire la rainure de codage de la fiche de connexion dans l'alignement de la prise à douilles, puis visser à fond la collerette de fixation à la main.

La protection apportée par le capteur de température intégré peut n'être pas suffisante en cas de sollicitation thermique importante (par ex. surcharge lorsque le moteur est à l'arrêt). Pour prévenir ce type de problème, prévoir des mesures de protection supplémentaires, par ex. un relais de surcharge thermique.

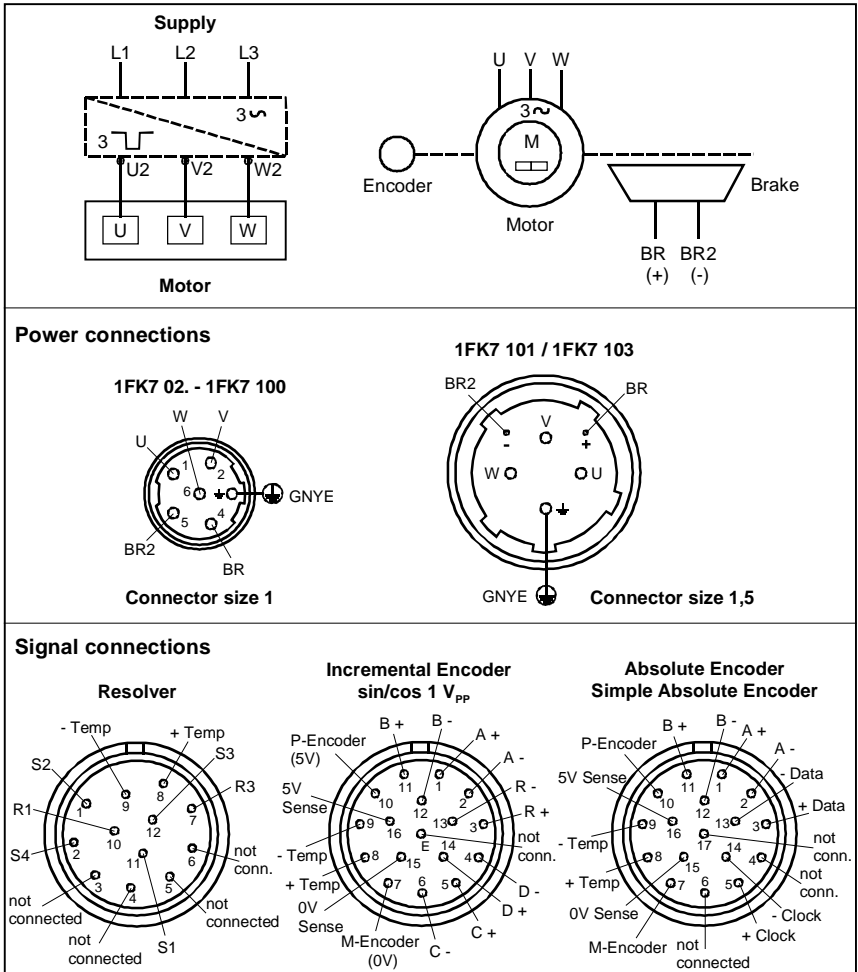


Fig. 5 Câblages

## 5.2 Modèle de prise

### INDICATION

Une modification incorrecte du sens de déviation de la prise peut endommager les conducteurs.

Ne pas dépasser les moments de déplacement angulaire indiqués à la Fig. 6.

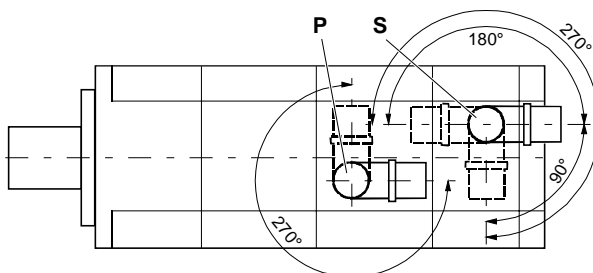
Il n'est pas possible de modifier plus de dix fois le sens de déviation de la prise en introduisant jusqu'en butée la contre-prise adéquate.

#### Prise de puissance

1. Utiliser des prises de taille 1 ou 1,5.
2. Attribuer les prises comme indiqué à la Fig. 5. raccorder le conducteur de protection.
3. raccorder le frein via la prise de puissance comme indiqué à la Fig. 5.

**Prise de signalisation** pour système de transmission et capteur de température

1. Utiliser une prise adéquate.
2. Attribuer les prises comme indiqué à la Fig. 5.



P Prise de puissance


S Prise de signalisation

**Fig. 6 Possibilité de déplacement angulaire des prises****Moment de déplacement angulaire maximal autorisé  $M_{\max}$** 

Prise	Moteur	Taille des prises	$M_{\max}$
P	1FK7 02. - 1FK7 100	1	$M_{\max} = 12 \text{ Nm}$
	1FK7 101 / 1FK7 103	1.5	$M_{\max} = 20 \text{ Nm}$
S			$M_{\max} = 12 \text{ Nm}$

**6 Mise en service**

**⚠ ATTENTION**





**Menace thermique due aux surfaces chaudes !**  
Les températures superficielles des moteurs peuvent atteindre de près de 140 °C.  
**Ne pas toucher les surfaces chaudes !**  
**Au besoin, prendre des mesures de protection contre le toucher !**  
**Les éléments sensibles à la température (câbles électriques, composants électroniques) ne peuvent pas toucher les surfaces chaudes.**

**6.1 Vérifications avant la mise en service**

Avant de mettre en service le moteur, vérifier que

- tous les branchements ont été correctement effectués et les connexions ne risquent pas de se défaire,
- tous les dispositifs de protection du moteur sont activés,
- l'entraînement n'est pas bloqué,
- il n'y a aucune autre source de dangers potentiels,
- l'entraînement est intact (pas de dommages survenus lors du transport/ stockage),
- les languettes en bout d'arbre (s'il y en a) sont bloquées pour empêcher qu'elles soient éjectées.

## 6.2 Mise en service

 <b>AVERTISSEMENT</b>	
	<p><b>Danger dû à un rotor en fonctionnement !</b>  <b>Protéger les organes de transmission au moyen de protections contre tout contact accidentel !</b>  <b>Bloquer les languettes (s'il y en a) pour empêcher qu'elles soient éjectées !</b></p>

Respecter les instructions de mise en service du convertisseur (par ex. SIMODRIVE, MASTERDRIVES MC).

<b>INDICATION</b>
<p><b>Le frein est conçu pour les arrêts de secours (coupure de courant, arrêt d'urgence).</b>  <b>Il ne peut être utilisé comme frein de service.</b>  <b>Après extinction du moteur, il exerce la fonction de frein d'arrêt.</b></p>

1. Ouvrir le frein si besoin.
2. Vérifier le bon fonctionnement du frein (ouverture et fermeture).  
Pour cela, le relier aux broches BR, BR2 (Fig. 5) 24 V DC  $\pm 10\%$  et vérifier que le rotor tourne librement (pas de bruits de frottement).
3. Vérifier le moteur est bien fixé et monté dans le bon sens.
4. Vérifier les éléments entraînés, s'assurer qu'ils sont adaptés aux conditions d'utilisation prévues, par ex. contrôler la tension de la courroie.
5. Vérifier les connexions des prises de puissance et de signalisation.
6. Vérifier le fonctionnement des dispositifs accessoires, pour autant qu'ils existent.
7. Vérifier les mesures de protection contre le contact avec les parties mobiles et les parties sous tension.
8. Mettre le système d'entraînement en service conformément aux instructions du mode d'emploi du convertisseur ou de l'onduleur.
9. Vérifier que le régime est inférieur au régime maximal autorisé  $n_{\max}$  (voir plaque signalétique). Le régime maximal autorisé correspond au régime de service maximal autorisé de façon temporaire.
10. Le capteur de température intégré ne peut couvrir tous les cas de dérangement imaginables (voir remarques dans les instructions de configuration).

## 7 Remarques en cas de dérangement

En cas de comportement anormal du moteur ou de dérangement, procéder tout d'abord comme indiqué ci-dessous.

Se reporter également aux chapitres correspondants dans les modes d'emploi des différents composants du système d'entraînement.

Ne jamais couper les dispositifs de protection, même lors des essais de fonctionnement.

Si besoin, consulter le constructeur ou le centre d'assistance technique SIEMENS.

Mise en service, convertisseur-moteur

du système :

A&D Hotline 0180 50 50 222

Moteur/ composants du moteur :

Contacteur l'usine au 0174-3110669

Dérangement	Cause	Solution
Fonctionnement irrégulier	Blindage insuffisant du conducteur du moteur ou du transmetteur	Vérifier le blindage et la mise à la terre (voir chapitre 5.1)
	Amplification trop importante du régulateur d'entraînement	Ajuster le régulateur (voir le mode d'emploi du convertisseur)
Vibrations	Éléments d'embrayage ou machine-outil mal équilibrés	Rééquilibrer
	Mauvais alignement de l'entraînement	Réaligner le groupe de la machine
	Vis de fixation pas assez serrées	Contrôler et resserrer les connexions par vissage
Bruits de roulement	Corps étrangers à l'intérieur du moteur	Réparation par le constructeur
	Paliers endommagés	Réparation par le constructeur
Le moteur s'échauffe (températures superficielles >140 °C) Le contrôle de température se déclenche	Surcharge de l'entraînement	Vérifier la sollicitation (voir plaque signalétique)
	Évacuation de la chaleur gênée par des dépôts	Nettoyer la surface des entraînements Faire en sorte que l'air de refroidissement circule librement

## 8 Inspection, entretien, élimination

Selon le degré de pollution sur le site d'utilisation, procéder à un nettoyage afin de garantir la bonne évacuation de la chaleur libérée.

Les conditions d'exploitation différant fortement d'un endroit à l'autre, nous ne pouvons qu'indiquer des délais généraux basés sur l'hypothèse d'un fonctionnement sans défaut.

Valeurs indicatives :

- Durée d'utilisation des paliers 20 000 heures
- Joints pour arbre tournant env. 5 000 heures en cas de lubrification régulière.

### INDICATION


**A chaque fois que le moteur a été démonté, il est nécessaire d'ajuster à nouveau le système de transmission.**


Éliminer le moteur conformément aux directives nationales et internationales sur le recyclage des matériaux ou le restituer au constructeur.

Éliminer l'électronique de transmission conformément aux normes sur l'élimination du matériel électronique usagé.

Este manual de instrucciones contiene advertencias que debe observar para su seguridad personal y para evitar daños materiales. Las advertencias que afectan a su seguridad personal están resaltadas con un triángulo de seguridad; las advertencias que únicamente se refieren a daños materiales no van acompañadas de triángulo de seguridad. Según el grado de peligrosidad se representan de la forma siguiente:

 <b>PELIGRO</b>	
Pictograma	significa que se producirán heridas mortales o muy graves o considerables daños materiales si no se toman las medidas de precaución correspondientes.

 <b>ADVERTENCIA</b>	
Pictograma	significa que pueden producirse heridas mortales o muy graves o considerables daños materiales si no se toman las medidas de precaución correspondientes.

 <b>CUIDADO</b>	
Pictograma	con triángulo de seguridad significa que pueden producirse heridas leves si no se toman las medidas de precaución correspondientes.

<b>CUIDADO</b>	
sin triángulo de seguridad significa que pueden producirse daños materiales si no se toman las medidas de precaución correspondientes.	

<b>ATENCIÓN</b>	
significa que puede producirse una ocurrencia o un estado no deseado si no se observa la advertencia correspondiente.	

## **Personal cualificado**

La puesta en marcha y el servicio del aparato sólo deben ser efectuados por personal cualificado. Se considera personal cualificado según las indicaciones de seguridad técnica de este manual de instrucciones a aquellas personas que están autorizadas a poner en marcha, conectar a tierra y caracterizar aparatos, sistemas y circuitos eléctricos según los estándares de la seguridad técnica.

## **Utilización conforme**

Tenga en cuenta lo siguiente:

Este aparato sólo debe emplearse para los usos previstos en el catálogo y en las instrucciones de proyecto y, asimismo, sólo en combinación con aparatos y componentes externos recomendados o autorizados por Siemens.

El funcionamiento perfecto y seguro del producto presupone el transporte, almacenamiento, emplazamiento y montaje adecuados así como un servicio y un mantenimiento cuidadosos.

## **Exoneración de responsabilidad**

Hemos comprobado el contenido de la publicación. A pesar de todo, no pueden excluirse desviaciones, de forma que no podemos garantizar la coincidencia total. Los datos de esta publicación se comprueban regularmente y las correcciones necesarias se encuentran en las ediciones siguientes. Agradecemos cualquier tipo de propuestas para mejorar.

## **© Copyright Siemens AG 2001. All rights reserved**

La transmisión y reproducción de este documento así como la utilización y comunicación de sus contenidos no está permitida en tanto que no se haya autorizado expresamente. Las infracciones obligan a indemnización.

Se reservan todos los derechos, especialmente en el caso de concesión de patente o inscripción como modelo registrado.

Siemens AG  
Bereich Automatisierungs- und Antriebstechnik  
Geschäftsgebiet Motion Control Systeme (MC)  
D-97615 Bad Neustadt an der Saale



# 1 Indicaciones generales de seguridad

Los servomotores se corresponden con las normas armonizadas de la serie EN 60034-1, EN 60034-6, EN 60034-9 y EN 60204-1.

Los servomotores trifásicos 1PM6 deben estar conformes con 73/23/CEE Directiva de baja tensión.

Los motores estándar cumplen las normativas UL. Estos motores están marcados con UR en la placa de características.

**Asegure para su producto final el mantenimiento de todas las disposiciones legales. Además rigen las condiciones y prescripciones vigentes nacionales, locales y específicas de la instalación.**

Los servomotores trifásicos están previstos exclusivamente para montar en otra(s) máquina(s).

**La puesta en servicio de los motores está prohibida hasta que se haya determinado la conformidad del producto final con las directrices válidas.**

El manual de instrucciones es válido en combinación con las instrucciones de proyecto y selección de SIEMENS para "Servomotores trifásicos", nº de pedido 6SN1197-0AC20-0AP.

Para el transporte, almacenamiento, montaje, desmontaje y puesta en servicio de los servomotores deben observarse todas las advertencias de seguridad.

La no observancia puede causar graves heridas o daños materiales.

Los rotores de los motores contienen imanes permanentes con altas densidades de flujo magnéticas y potentes fuerzas de atracción respecto de cuerpos ferromagnéticos.

Las personas con marcapasos corren peligro cerca de un rotor desmontado. Los datos grabados en soportes de datos electrónicos pueden destruirse.

Se prohíbe el emplazamiento de los motores en áreas con peligro de explosión, a no ser que se hayan destinados expresamente a este efecto.

## Peligro térmico

La temperatura en la superficie de los motores puede alcanzar hasta los 140 °C.

**¡No toque superficies calientes!**

Los componentes sensibles al calor (cables eléctricos, componentes electrónicos) no pueden entrar en contacto con superficies calientes.

Un sobrecalentamiento de los motores puede destruir los devanados y rodamientos y desmagnetar los imanes permanentes.

**¡Accione los motores sólo con un control efectivo de la temperatura!**

## Utilización conforme

El mantenimiento de todas las indicaciones del manual de instrucciones y las instrucciones de proyecto "Servomotores trifásicos" es un componente principal del uso correcto.

# 2 Datos respecto al producto

## 2.1 Descripción del producto

Los motores de la serie 1FK7 son motores sincrónicos trifásicos activados por un imán permanente (servomotores trifásicos) para funcionar con onduladores pulsados motorregulados según el principio de corriente senoidal.

Los motores están previstos para accionar y posicionar máquinas herramienta y de producción, así como robots y equipos de manipulación.

## 2.2 Volumen de suministro

Los sistemas de propulsión están compuestos de forma individual. Una vez recibido el suministro, compruebe inmediatamente que el volumen coincida con los albaranes. SIEMENS no se hace responsable de las carencias reclamadas a posteriori.

Reclame

- daños visibles causados por el transporte inmediatamente al proveedor,
- carencias visibles/entrega incompleta inmediatamente a la sucursal de SIEMENS competente.

El manual de instrucciones entra en el alcance del suministro y debe guardarse en un lugar accesible.

La placa de características suelta incluida en el suministro está prevista para guardar adicionalmente los datos del motor en la máquina o instalación o cerca de las mismas.

## 3 Datos técnicos

### 3.1 Placa de características

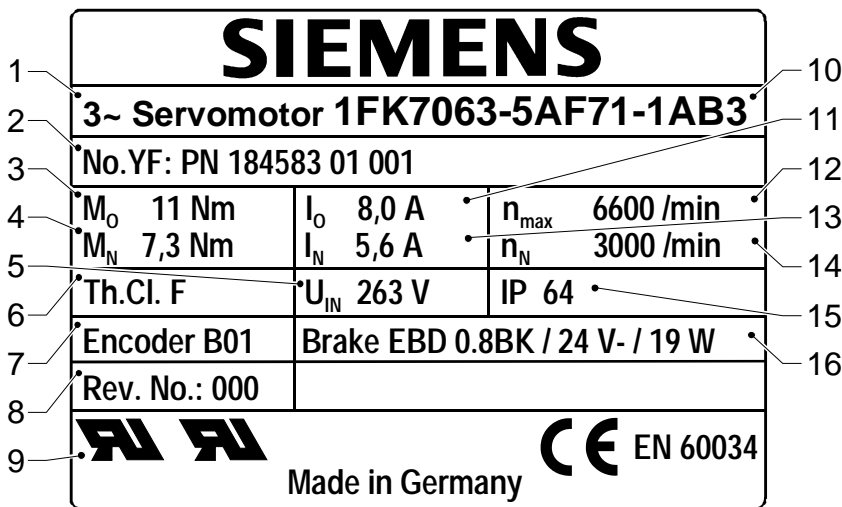


Fig. 1 Placa de características

- |  |   |
|--|---|
| 1 Tipo de motor: servomotor trifásico        | 10 SIEMENS tipo de motor/denominación                                   |
| 2 Nº de identificación, número de producción | 11 Corriente en reposo $I_0$ [A]  |
| 3 Par motor permanente en reposo $M_0$ [Nm]  | 12 Velocidad de rotación máxima $n_{max}$ [rev/min]                     |
| 4 Par motor de cálculo $M_N$ [Nm]            | 13 Corriente de cálculo $I_N$ [A]                                       |
| 5 Tensión inducida $U_{IN}$ [V]              | 14 Velocidad de rotación de cálculo $n_N$ [rev/min]                     |
| 6 Clase de aislamiento térmico               | 15 Grado de protección  |
| 7 Identificación del tipo de captador        | 16 Datos sobre el freno de parada:<br>tipo, tensión, consumo de energía |
| 8 Número de versión                          |   |
| 9 Normas y disposiciones                     |   |

### 3.2 Características

Forma de construcción, (EN 60034-7)	IM B5 (IM V1, IM V3)
Grado de protección (EN 60034-5)	IP64
Refrigeración (EN 60034-6)	Refrigeración propia
Nivel de potencia acústica con valoración A (EN 60034-9)	
para un régimen de revoluciones de hasta 3.000 rev/min	
1FK7 02., 1FK7 03., 1FK7 04.	aprox. 55 dB(A)
1FK7 06.	aprox. 65 dB(A)
1FK7 08., 1FK7 10.	aprox. 70 dB(A)
Protección térmica del motor (EN 60034-11)	Termistor KTY84 en el devanado del estátor
Extremo del eje (DIN 748-3; IEC 60072-1)	cilíndrico; sin caja de chaveta de ajuste, zona de tolerancia k6
Concentricidad, coaxialidad, excentricidad axial (DIN 42955; IEC 60072-1)	tolerancia N
Intensidad de vibraciones (EN 60034-14)	nivel N
Rodamiento	rodamientos con engrase permanente (lubricación permanente) rodamiento fijo en lado B
Durabilidad de los rodamientos	20000 h (valor indicativo)
Aislamiento del arrollamiento (EN 60034-1)	clase de aislamiento térmico F
Temperatura ambiente	-15 °C hasta +40 °C (5 °F hasta 104 °F) si no, reducción de los datos nominales hasta 50 °C factor de potencia 0,92 hasta 60 °C factor de potencia 0,82
Altura de montaje (EN 60034-1)	≤ 1.000 m por encima del nivel del mar, 2000 m factor de potencia 0,94 2500 m factor de potencia 0,9
Material magnético	material de tierras raras
Conexión eléctrica	clavija giratoria para potencia y señales del captador
Sistema de captadores	captador montado - registro del número de revoluciones - registro del estado del rotor - registro indirecto del estado
Otras características técnicas, hojas normalizadas según instrucciones de proyecto y selección "Servomotores trifásicos", nº de pedido 6SN1197-0AC20-0AP.	

### Opciones/ampliaciones

Serie de poca inercia	HD (High Dynamic)
Grado de protección (EN 60034-5)	IP 65; adicionalmente, brida AS IP67
Piezas adosadas o incorporadas	- Freno de parada por corriente de reposo (DIN VDE 0580) Tensión nominal 24 V DC ±10%

Sistema de captadores

- Engranaje planetario
- Captador incremental sin/cos 1  $V_{PP}$
- Captador de valor absoluto EnDat
- Captador de valor absoluto-simple
- Resolvedor

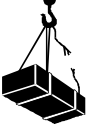
Extremo del eje  
(DIN 748-3; IEC 60072-1)

Cilíndrico con caja de chaveta de ajuste y chaveta; zona de tolerancia k6 (equilibrado con media chaveta)

Encontrará más datos técnicos, p.ej. dimensiones del motor, en el catálogo NC 60 o DA 65.3.

## 4 Instalación y montaje

### 4.1 Transporte, almacenamiento

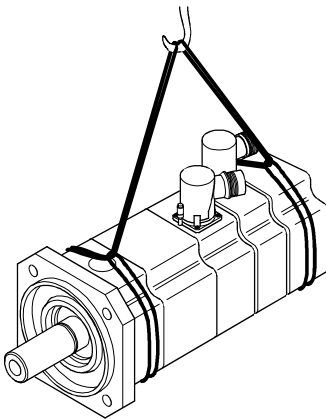
<b>⚠ ADVERTENCIA</b>	
	<p><b>¡Peligro en las operaciones de carga y transporte!</b>  <b>Una ejecución inadecuada o aparatos y medios de ayuda inadecuados o defectuosos pueden provocar heridas y/o daños materiales.</b>  <b>Los aparatos elevadores, las carretillas de mantenimiento y los medios de recepción de carga deben corresponderse con las normativas.</b></p>

Para el transporte y montaje deben emplearse los medios de recepción de carga adecuados.

Utilizar cáncamos para el transporte de los motores si el fabricante lo ha previsto.

Medios de recepción de carga según directiva para máquinas 98/37/CE, Anexo I.

Los motores tienen una masa de hasta 50 kg. Para datos exactos, véase catálogo u hoja normalizada.

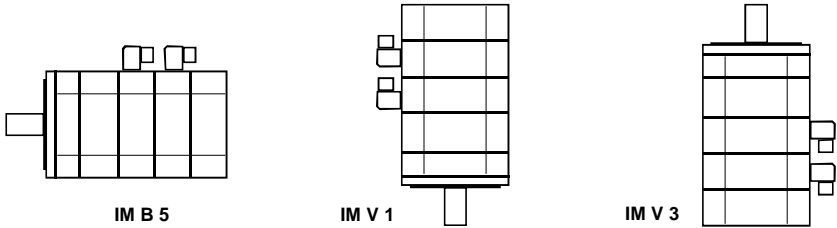


**Fig. 2 Cargar y transportar con cinturones elevadores**

Observar las normativas de cada país en el transporte.

El almacenamiento debe realizarse en un lugar interior seco, sin polvo ni vibraciones ( $v_{eff} < 0,2 \text{ mms}^{-1}$ ).

## 4.2 Instalación



**Fig. 3 Modelos**

- Observe las indicaciones de la placa de características y las placas de indicaciones y advertencias en el motor.
- Mantener las fuerzas transversales y axiales (véase las instrucciones de proyecto). En los motores con freno integrado no se permiten fuerzas axiales.
- Asegúrese de que las condiciones necesarias (por ejemplo, temperaturas, altura de montaje) coinciden con las del lugar de montaje (véase sección 3.2).
- Se prohíbe el emplazamiento en áreas con peligro de explosión.
- Limpiar bien el extremo del eje de aditivos anticorrosivos (utilizar disolventes comerciales).
- Asegurar una evacuación suficiente del calor de escape. Se recomienda mantener una distancia de 100 mm respecto de las partes colindantes en tres lados como mínimo.
- Asegurar un soporte homogéneo de la fijación por bridas y evitar deformaciones al apretar los tornillos de sujeción. Utilizar tornillos cilíndricos con hexágono interior, clase de resistencia 8.8 como mínimo.
- En posición vertical con el extremo del eje hacia arriba, asegurar que no pueda entrar líquido en el rodamiento superior.
- Los cáncamos atornillados se pueden retirar después de la instalación del motor.
- Mover los órganos de transmisión manualmente. Si se escucharan ruidos de rozamiento debe eliminar su causa o consultar al fabricante.

### Vibraciones admisibles, equilibrado

Los motores con caja de chaveta de ajuste son equilibrados con media chaveta por el fabricante.

El comportamiento ante las vibraciones del sistema en el lugar de emplazamiento está determinado por los órganos de transmisión, las condiciones de montaje, el ajuste, la instalación y las vibraciones ajenas. En este caso pueden cambiar las vibraciones del motor.

Las vibraciones imitadas en estado montado no pueden superar aceleraciones de 5 g.

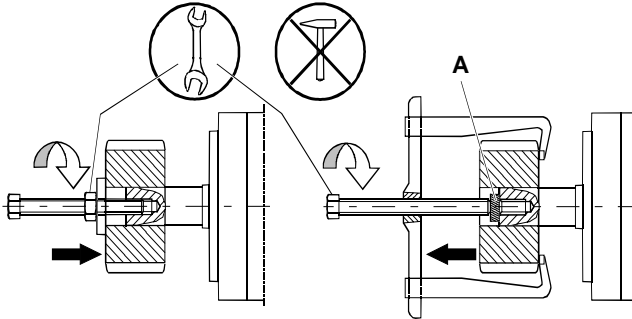
### Órganos de transmisión

#### **ATENCIÓN**

**No someter a golpes el eje y los rodamientos de los motores.  
No superar las fuerzas axiales y radiales permitidas en el extremo del eje según la normativa de proyecto y selección.  
En los motores con freno integrado no se permiten fuerzas axiales.**

Los órganos de transmisión (por ejemplo acoplamiento, rueda dentada, polea para correa) deben montarse y desmontarse siempre con los dispositivos adecuados (Fig. 4).

- Utilizar un agujero roscado en el extremo del eje.
- En caso necesario, calentar los órganos de transmisión.
- Al desmontar, utilizar una arandela intermedia para proteger el centrado en el extremo del eje.
- En caso necesario, deberá volver a equilibrarse completamente el motor junto con los órganos de transmisión según ISO1940.



**Fig. 4 Montar y desmontar los órganos de transmisión**

A Arandela intermedia (protección del centrado en el extremo del eje)

## 5 Conexión eléctrica

### 5.1 Indicaciones importantes

<b>⚠ PELIGRO</b>	
	<p><b>¡Peligro de electrocución!</b>                  Cuando el rotor gira, los bornes del motor tienen una tensión de 300 V aprox.                  Los trabajos eléctricos sólo deben realizarse con el motor parado.                  Los trabajos de montaje de los equipos convertidores y conectores sólo pueden ser realizados por personal técnico cualificado.                  Observar las normativas para trabajos en instalaciones electrotécnicas.</p>

Reglas de seguridad para el trabajo en instalaciones eléctricas según EN 50110-1 (DIN VDE 0105-100):

- Trabaje sólo con el aparato desconectado del suministro eléctrico.
- Desconectar y seccionar.
- Asegurar contra la reconexión.
- Comprobar la ausencia de tensión.
- Poner a tierra y cortocircuitar.
- Cubrir o encerrar las partes contiguas sometidas a tensión.
- Liberar para el trabajo.
- Conectar el conductor de protección al borne

Requisitos de montaje

**CUIDADO**

**¡Advertencia de daños en el motor!**  
**La conexión directa a la red trifásica produce la destrucción del motor.**  
**¡Accionar los motores sólo con los equipos convertidores proyectados!**  
**Observar la secuencia de fases correcta.**  
**Los sistemas de captadores y los termistores son componentes sensibles a descargas electrostáticas.**  
**No toque las conexiones con las manos o con herramientas que pudieran estar cargadas electrostáticamente.**

Se recomienda utilizar cables confeccionados de SIEMENS (no incluidos en el suministro). Estos cables disminuyen los gastos de montaje y aumentan la seguridad de servicio.

- La instalación adecuada es responsabilidad del fabricante de la instalación / máquina.
- Observe los datos de la placa de características (sección 3.1) y las indicaciones de los esquemas de conexiones (Fig. 5).
- Adaptar las líneas de conexión a la aplicación, a las tensiones y a las corrientes previstas.
- Cuando la alimentación eléctrica es por equipo convertidor, los armónicos de la tensión e intensidad en los cables al motor pueden ocasionar perturbaciones electromagnéticas. Emplear cables de potencia y señales apantallados. Observar las advertencias de compatibilidad electromagnética del fabricante del equipo convertidor.
- El interior de conector no debe contener restos de cables y debe estar libre de humedad.
- Evitar extremos sobresalientes de cables.
- Controlar las juntas y superficies de junta del conector para conservar el grado de protección.
- Tomar las medidas necesarias para aliviar todos los esfuerzos de torsión, tracción y presión así como para una protección contra dobleces en el cable. No se permiten fuerzas permanentes en los conectores.
- La ranura de codificación de la conexión clavija debe insertarse de forma alineada en el conector de hembra y el anillo retén debe apretarse fuertemente a mano hasta el tope.

En caso de elevada carga térmica, p.ej. sobrecarga con el motor parado, la función de protección con sensor de temperatura incorporado puede no ser suficiente. Para estos casos deben tomarse medidas de protección adicionales, p.ej. un relé de sobreintensidad térmico.

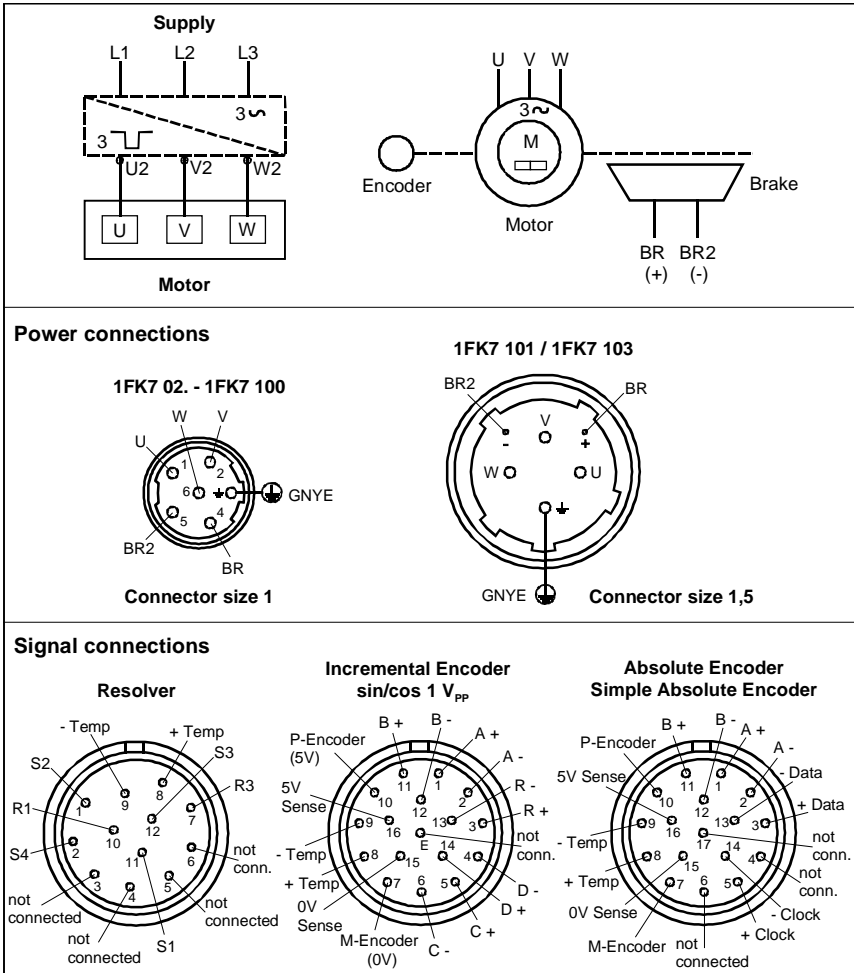


Fig. 5 Circuitos

## 5.2 Conexiones

### ATENCIÓN

La modificación inadecuada de la línea de proyección de los conectores daña las líneas de conexión.

No superar los momentos de torsión permitidos según Fig. 6.

La línea de proyección de los conectores con los contraconectores adecuados colocados hasta el tope sólo puede modificarse diez veces como máximo.

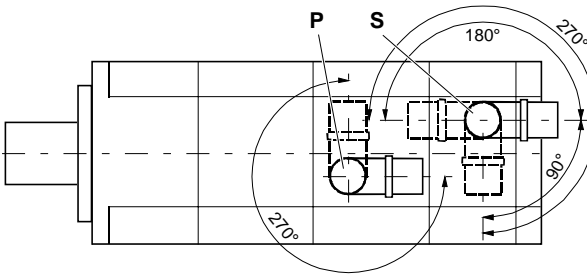
#### Conector de potencia

1. Utilizar conectores del tamaño 1 ó 1,5.
2. Realizar la asignación de conectores según Fig. 5. Conectar el conductor de protección.
3. Conectar el freno mediante los conectores de potencia según Fig. 5.



**Conector de señales** para el sistema de captadores y el sensor de temperatura

1. Utilizar un conector adecuado.
2. Realizar la asignación de conectores según Fig. 5.



**P** Conector de potencia



**S** Conector de señales

**Fig. 6 Capacidad de torsión de los conectores**

**Momentos de torsión máximos permitidos  $M_{m\acute{a}x}$**

Conector	Motor	Tamaño del conector	$M_{m\acute{a}x}$
P	1FK7 02. - 1FK7 100	1	$M_{m\acute{a}x} = 12 \text{ Nm}$
	1FK7 101 / 1FK7 103	1.5	$M_{m\acute{a}x} = 20 \text{ Nm}$
S			$M_{m\acute{a}x} = 12 \text{ Nm}$

## 6 Puesta en servicio


 <b> CUIDADO</b>	
	<p><b>¡Peligro térmico debido a superficies calientes!</b>                      La temperatura en la superficie de los motores puede alcanzar hasta los 140 °C.  <b>¡No tocar las superficies calientes!</b>                      Si fuese necesario, tomar precauciones contra contactos involuntarios.                      Los componentes sensibles al calor (cables eléctricos, componentes electrónicos) no pueden entrar en contacto con superficies calientes.</p>

### 6.1 Comprobaciones antes de la puesta en servicio

Antes de la puesta en marcha, asegúrese de que

- todas las conexiones se hayan realizado correctamente y los conectadores enchufables no puedan aflojarse,
- todos los dispositivos de protección del motor estén activos,
- el accionador no esté bloqueado,
- no haya otras fuentes de peligro,
- el accionador no esté dañado (sin daños causados por el transporte / almacenamiento),
- las chavetas del extremo del eje (si las hay) no puedan salir proyectadas.

## 6.2 Puesta en servicio

<b>⚠ ADVERTENCIA</b>	
	<p><b>¡Peligro debido al rotor en marcha!</b>  <b>¡Asegure los órganos de transmisión con una protección contra contactos involuntarios!</b>  <b>Asegurar las chavetas (si las hay) para que no puedan salir proyectadas.</b></p>

Observe las instrucciones de puesta en servicio del equipo convertidor (p.ej. SIMODRIVE, MASTERDRIVES MC).

<b>ATENCIÓN</b>
<p><b>El freno está diseñado para paradas de emergencia (fallo de corriente, paralización rápida).</b>  <b>No está permitido utilizarlo como freno de trabajo.</b>  <b>Tras desconectar el motor, actúa como un freno de parada.</b></p>

1. Abrir el freno, siempre que sea necesario.
2. Comprobar el funcionamiento del freno (abrir y cerrar).  
Para ello, aplicar 24 V DC  $\pm 10\%$  a los pins BR, BR2 (Fig. 5) y dar marcha libre al rotor (sin ruidos de rozamiento).
3. Comprobar montaje del motor, solidez y alineación.
4. Comprobar la idoneidad y el ajuste de los órganos de transmisión para las condiciones de aplicación previstas, por ejemplo Tensión de la correa.
5. Comprobar las conexiones de señales y de potencia.
6. Comprobar la funcionalidad de los dispositivos adicionales que pudiera haber.
7. Comprobar que se han tomado las medidas necesarias contra contactos involuntarios de las piezas en movimiento y bajo tensión.
8. Poner en marcha el sistema de propulsión de acuerdo con las instrucciones del equipo convertidor y del alternador.
9. Comprobar el mantenimiento del número de revoluciones máximo permitido  $n_{max}$  (para los datos véase la placa de características). La velocidad límite máxima es la velocidad de servicio máxima admisible durante cortos períodos.
10. El sensor de temperatura incorporado no puede cubrir todas las averías posibles (observar las indicaciones en las instrucciones de proyecto y selección).

## 7 Indicaciones en caso de avería

Si se producen averías o cambios respecto al funcionamiento normal, proceda en primer lugar según la lista siguiente.

Para ello, tenga en cuenta también los capítulos correspondientes del manual de instrucciones de los componentes de todo el sistema de propulsión.

No desconecte los dispositivos de seguridad durante la marcha de ensayo.

En caso necesario, consulte al fabricante o al servicio técnico de SIEMENS.

Para puesta en servicio,

sistema motor-equipo convertidor:

A&D Hotline +49 180 50 50 222

Para motor/componentes del motor:

Consulta a la fábrica +49 174-3110669

Avería	Causa	Solución
Marcha inestable	Blindaje de la línea del motor o del captador insuficiente	Comprobar blindaje y puesta a tierra (véase sección 5.1)
	Amplificación del regulador de accionamiento demasiado grande	Ajustar regulador (véase manual de instrucciones del equipo convertidor)
Vibraciones	Elementos de acoplamiento o máquina productiva mal equilibrados	Equilibrar
	Alineación insuficiente del tren propulsor	Alinear de nuevo el grupo de la máquina
	Tornillos de sujeción flojos	Controlar y asegurar las uniones roscadas
Ruidos de giro	Cuerpo extraño en el interior del motor	Reparación por parte del fabricante
	Daño en los rodamientos	Reparación por parte del fabricante
El motor se calienta (temperatura en la superficie > 140 °C) El control de temperatura entra en funcionamiento	Sobrecarga del accionador	Comprobar la carga (véase la placa de características)
	Eliminación de calor obstaculizada por sedimentos	Limpiar la superficie de los accionadores Procurar una entrada y salida libres del aire refrigerante

## 8 Inspección, mantenimiento, eliminación de residuos

Según el grado de contaminación in situ, realizar una limpieza para asegurar una evacuación suficiente del calor de escape.

Puesto que las condiciones de funcionamiento son muy dispares, sólo pueden citarse plazos generales en caso de funcionamiento sin averías.

Valores indicativos:

- Durabilidad de los rodamientos 20.000 horas
- Retenes radiales para ejes aprox. 5.000 horas con lubricación con aceite.


### ATENCIÓN


**Tras cada desmontaje del motor, el sistema de captadores debe ajustarse de nuevo.**

Los motores deben desecharse en consonancia con las normativas nacionales y locales en el proceso normal de sustancias útiles o bien devolverse al fabricante.

Los componentes electrónicos de los captadores deben desecharse adecuadamente como residuos electrónicos.

Il presente manuale d'uso contiene le istruzioni che devono essere osservate per la sicurezza personale e per evitare di recare danni alle attrezzature. Le avvertenze sulla sicurezza personale sono evidenziate da un apposito triangolo per la segnalazione di pericolo, mentre le avvertenze relative ai danni generali recabili alle attrezzature non riportano il triangolo per la segnalazione di pericolo. A secondo del grado di pericolo viene raffigurato quanto segue:

 <b>PERICOLO</b>	
Pittogramma	Significa che può causare la morte, gravi lesioni corporali oppure danni ingenti alle attrezzature se non vengono prese delle apposite misure precauzionali.

 <b>AVVERTENZA</b>	
Pittogramma	Significa che può causare la morte, gravi lesioni corporali oppure danni ingenti alle attrezzature se non vengono prese delle apposite misure precauzionali.

 <b>CAUTELA</b>	
Pittogramma	E il triangolo per la segnalazione di pericolo indica che si possono causare lievi lesioni corporali se non vengono prese delle apposite misure precauzionali.

<b>CAUTELA</b>	
Se il triangolo per la segnalazione di pericolo non è presente, si corre il rischio di causare danni alle attrezzature se non vengono prese delle apposite misure precauzionali.	

<b>ATTENZIONE</b>	
Significa che può verificarsi un evento o una condizione indesiderata se non ci si attiene alle rispettive istruzioni.	

## **Personale qualificato**

La messa in funzione e il funzionamento dell'apparecchio deve essere eseguito solo da personale qualificato. In termini di istruzioni sulla sicurezza tecnica riportate nel presente manuale, per personale qualificato si intende coloro che sono autorizzati a mettere in funzione, collegare a terra e contrassegnare le apparecchiature, i sistemi e i circuiti elettrici secondo gli standard di sicurezza tecnica.

## **Uso appropriato**

Osservare quanto segue:

E' consentito l'uso dell'apparecchio solo per i casi previsti nell'apposito catalogo e nelle istruzioni di progettazione e solo se in combinazione con le apparecchiature e i componenti esterni suggeriti e/o autorizzati dalla Siemens.

Un perfetto e sicuro funzionamento del prodotto implica eseguire a regola d'arte le operazioni di trasporto, stoccaggio, installazione, montaggio, utilizzo e relativa messa a punto.

## **Esenzione da responsabilità**

Abbiamo verificato il contenuto della brochure. Ciò nonostante è possibile incorrere in variazioni e quindi non diamo una completa garanzia su quanto concordato. I dati presenti nella brochure vengono verificati regolarmente e le correzioni necessarie sono contenute nella documentazione qui di seguito riportata. Vi ringraziamo per i vostri consigli di miglioramento.

## **© Copyright Siemens AG 2001. All rights reserved**

E' vietato conferire, duplicare, riutilizzare e comunicare il contenuto di tale documentazione se non espressamente concordato a priori. Le infrazioni sono punibili con risarcimento danni.

Salvo tutti i diritti, specialmente nel caso di conferimento di brevetti o registrazioni GM.

Siemens AG  
Bereich Automatisierungs- und Antriebstechnik  
Geschäftsgebiet Motion Control Systeme (MC)  
D-97615 Bad Neustadt an der Saale

## 1 Avvertenze generiche di sicurezza

I servomotori sono conformi alle norme armonizzate della serie EN 60034-1, EN 60034-6, EN 60034-9 e EN 60204-1.

I servomotori trifasi 1FK6 sono conformi a 73/23/CEE Direttiva bassa tensione.

I motori standard sono conformi alle norme UL. Questi motori portano il contrassegno UR sulla targhetta con i dati sulle prestazioni.

**Per il prodotto finale, accertarsi che tutte le disposizioni legislative vigenti siano rispettate!**

**Vanno inoltre rispettati le normative nazionali ed i regolamenti locali e specifici per l'impianto!**

I servomotori trifase sono destinati esclusivamente al montaggio all'interno di un'altra o più macchine.

**La messa in funzione dei motori non è consentita fino alla completa determinazione della conformità del prodotto finale con le direttive vigenti.**

Le istruzioni per l'uso valgono in unione alle istruzioni di progettazione SIEMENS "Servomotori trifase", N. Ord. 6SN1197-0AC20-0AP.

Attenersi alle tutti avvertenze sulla sicurezza in materia di trasporto, stoccaggio, montaggio, smontaggio e funzionamento dei servomotori!

Il mancato rispetto di tale direttive può provocare gravi lesioni corporali oppure danni alle attrezzature.

I rotor dei motori contengono magneti permanenti con elevate densità di flusso magnetico e forti attrazioni di corpi ferromagnetici.

In prossimità di un rotore smontato, sussistono pericoli per portatori di pace-maker.

Dati salvati su supporti dati elettronici possono essere distrutti.

E' vietato l'uso in zone soggette a rischio di deflagrazione, se non espressamente previsto.

### Pericolo termico

La temperatura in superficie del motore può raggiungere fino a gli 140 °C.

**Non toccare le parti incandescenti!**

Gli elementi costruttivi termosensibili (cavi elettrici, elementi costruttivi elettronici) non possono venire a contatto con superfici incandescenti.

Un surriscaldamento dei motori può provocare la distruzione degli avvolgimenti e dei cuscinetti, nonché la smagnetizzazione dei magneti permanenti.

**Utilizzare i motori solo con un controllo efficace della temperatura!**

### Uso appropriato

L'osservanza di tutte le prescrizioni delle istruzioni per l'uso e delle istruzioni di progettazione "Servomotori trifase" è parte integrante dell'uso regolamentare.

## 2 Dati sul prodotto

### 2.1 Descrizione del prodotto

I motori della serie 1FK7 sono motori sincroni trifase (servomotori trifase) ad eccitazione tramite magneti permanenti e sono atti al funzionamento con invertitori d'impulsi comandati a motore secondo il principio della corrente sinusoidale.

I motori sono previsti per l'azionamento e il posizionamento di macchine utensili e di produzione, nonché di robot e apparecchiature manipolatrici.

## 2.2 Fornitura

I sistemi di comando sono montati individualmente. Al ricevimento della fornitura, verificare immediatamente che questa corrisponda ai documenti di accompagnamento della merce. Per difetti reclamati in un momento successivo, SIEMENS non si assume alcuna garanzia.

Reclamare eventuali danni

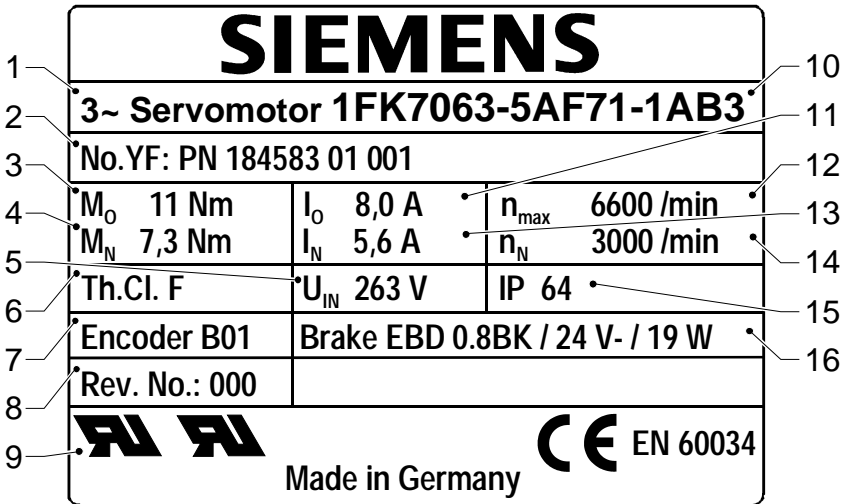
- di trasporto evidenti immediatamente presso il fornitore,
- difetti evidenti/forniture incomplete immediatamente presso la rappresentanza SIEMENS competente.

Il manuale di istruzioni per l'uso è parte integrante del kit di fornitura e, come tale, va conservato in modo accessibile.

La targhetta non montata acclusa alla fornitura è prevista per conservare i dati della macchina ulteriormente sulla o in prossimità della macchina o dell'impianto.

## 3 Caratteristiche tecniche

### 3.1 Targhetta



**Fig. 1 Targhetta**

- |  |  |
|--|--|
| <p>1 Tipo di motore: servomotore trifase</p> <p>2 N. Ident., numero di produzione</p> <p>3 Coppia continua a rotore bloccato <math>M_0</math> [Nm]</p> <p>4 Coppia di dimensionamento <math>M_N</math> [Nm]</p> <p>5 Tensione indotta <math>U_{IN}</math> [V]</p> <p>6 Classe termica</p> <p>7 Identificazione tipo di trasduttore</p> <p>8 Versione</p> <p>9 Norme e prescrizioni</p> | <p>10 Tipo di motore/identificazione SIEMENS</p> <p>11 Corrente a rotore bloccato <math>I_0</math> [A]</p> <p>12 Numero massimo di giri <math>n_{max}</math> [giri/min]</p> <p>13 Corrente di dimensionamento <math>I_N</math> [A]</p> <p>14 Numero di giri di dimensionamento <math>n_N</math> [giri/min]</p> <p>15 Tipo di protezione</p> <p>16 Dati sul freno di arresto:<br/>Tipo, tensione, potenza assorbita</p> |
|--|--|

### 3.2 Caratteristiche

Forma costruttiva (EN 60034-7)	IM B5 (IM V1, IM V3)
Tipo di protezione (EN 60034-5)	IP64
Raffreddamento (EN 60034-6)	Raffreddamento naturale
Livello di potenza sonora ponderato A (EN 60034-9) per regime di giri fino a 3000 g-m	
1FK7 02., 1FK7 03., 1FK7 04.	circa 55 dB(A)
1FK7 06.	circa 65 dB(A)
1FK7 08., 1FK7 10.	circa 70 dB(A)
Proteggimotore termico (EN 60034-11)	Termosensore KTY84 nell'avvolgimento statico
Estremità dell'albero (DIN 748-3; IEC 60072-1)	cilindrica; senza scanalatura per chiavetta, campo di tolleranza k6
Rotazione concentrica, coassialità, planarità (DIN 42955; IEC 60072-1)	Tolleranza N
Intensità di oscillazione (EN 60034-14)	Livello N
Cuscinetto	Cuscinetto a rotolamento a lubrificazione permanente con grasso (lubrificazione a vita) cuscinetto fisso sul lato B 20000 h (valore indicativo)
Durata del cuscinetto	
Isolamento dell'avvolgimento (EN 60034-1)	Classe termica F
Temperature ambiente	-15 °C a +40 °C (5 °F a 104 °F) in caso contrario riduzione dei dati nominali a 50 °C potenza, fattore 0,92 a 60 °C potenza, fattore 0,82
Altezza d'installazione (EN 60034-1)	≤1000 m sopra il livello del mare, 2000 m potenza, fattore 0,94 2500 m potenza, fattore 0,9
Materiale magnetico	Materiale delle terre rare
Collegamento elettrico	Connettore girevole per potenza e segnali del trasduttore
Sistema di trasduzione	Trasduttore incorporato - Rilevamento del numero di giri - Rilevamento della posizione del rotore - Rilevamento indiretto della posizione
Ulteriori caratteristiche tecniche, scheda dimensioni secondo le istruzioni di progettazione "Servomotori trifase", N. Ord. 6SN1197-0AC20-0AP.	

### Opzioni/Ampliamenti

Serie a bassa inerzia	HD (High Dynamic)
Tipo di protezione (EN 60034-5)	IP 65; in aggiunta flangia AS IP67
Dispositivi installati/annessi	- Freno di arresto a corrente di riposo (DIN VDE 0580) Tensione di allacciamento 24 V DC ±10% - Rotismo epicicloidale



Sistema di trasduzione

- Trasduttore incrementale sin/cos 1 V<sub>pp</sub>
- Trasduttore a valore assoluto EnDat
- Trasduttore a valore semplice -assoluto
- Risolutore



Estremità dell'albero  
(DIN 748-3; IEC 60072-1)

cilindrica con scanalatura e  
chiavetta; campo di tolleranza k6  
(equilibratura con mezza chiavetta)

Ulteriori dati tecnici, ad es. le dimensioni del motore, sono riportati nel catalogo NC 60 o DA 65.3.

## 4 Installazione, montaggio

### 4.1 Trasporto, stoccaggio

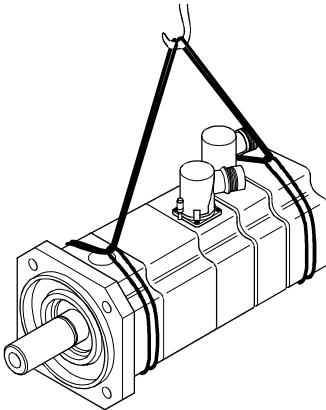
 <b>AVVERTENZA</b>	
	<p><b>Pericolo nella fase di trasporto e sollevamento!</b> I lavori non eseguiti a regola d'arte, le apparecchiature e i mezzi ausiliari non idonei o difettosi possono causare lesioni corporali e/o dei danni alle attrezzature. I sollevatori, i veicoli per trasporti interni e i veicoli per la ricezione del carico devono essere conformi alle normative vigenti.</p>

Per il trasporto ed il montaggio, utilizzare mezzi di sollevamento adeguati.

Per il trasporto dei motori, utilizzare gli occhielli di sollevamento se previsto dal produttore.

Mezzi di sollevamento secondo 98/37/CE Direttiva sulle Macchine, Appendice I.

I motori possiedono una massa fino a 50 kg. Per ulteriori informazioni, si veda il catalogo o la scheda dimensioni.



**Fig. 2 Sollevamento e trasporto con cinghie dotate di occhielli**

Durante il trasporto, osservare le norme specifiche locali.

Lo stoccaggio viene effettuato in locali chiusi, asciutti e privi di polveri e oscillazioni ( $v_{\text{eff}} < 0,2 \text{ mms}^{-1}$ ).

## 4.2 Installazione

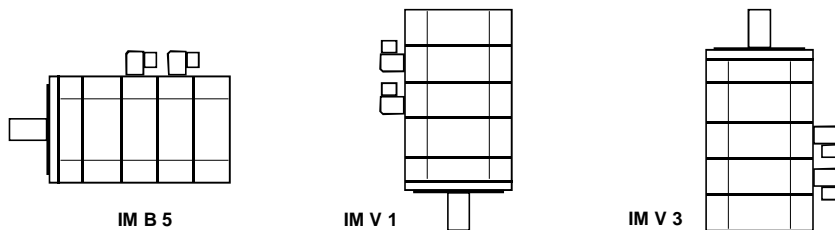


Fig. 3 Forme costruttive

- Osservare le indicazioni della targhetta con i dati sulle prestazioni, dei segnali di pericolo e d'indicazione apportati sul motore.
- Rispettare le forze assiali e trasversali (vedi le istruzioni di progettazione). Non sono consentite forze assiali con motori dotati di freno integrato.
- Verificare la conformità con le condizioni (ad es. temperature, altezza d'installazione) sul luogo di montaggio (si veda capitolo 3.2).
- E' vietato l'uso in zone soggette a rischio di deflagrazione.
- Rimuovere accuratamente eventuali anticorrosivi dall'estremità dell'albero (utilizzare solventi d'uso comune).
- Assicurare uno scarico sufficiente del calore di dissipazione. Si raccomanda di osservare su minimo tre lati le distanze di 100 mm dalle parti adiacenti.
- Osservare una superficie di appoggio uniforme del fissaggio delle flange, evitare serraggi eccessivi delle viti di fissaggio. Utilizzare viti a testa cilindrica ad esagono incassato con classe di resistenza di minimo 8.8.
- In caso di installazione verticale con l'estremità dell'albero rivolta verso l'alto, assicurarsi che nel cuscinetto superiore non possano penetrare liquidi.
- Possono essere rimovovati gli occhielli di sollevamento avvitati, una volta terminata l'installazione.
- Ruotare gli elementi condotti a mano. In caso si verificino dei possibili rumori di rettifica, rimuovere la causa oppure rivolgersi al produttore.

### Vibrazioni, equilibratura

I motori con scanalatura per chiavetta vengono equilibrati dal produttore con mezza chiavetta.

Il fenomeno oscillatorio del sistema sul luogo di installazione subisce l'influenza da parte degli elementi condotti, delle condizioni di montaggio, delle operazioni di installazione e delle vibrazioni esterne. In questo modo è possibile variare i valori di oscillazione del motore.

Le vibrazioni immesse a montaggio eseguito non possono superare accelerazioni di 5 g.

### Elementi condotti

#### ATTENZIONE

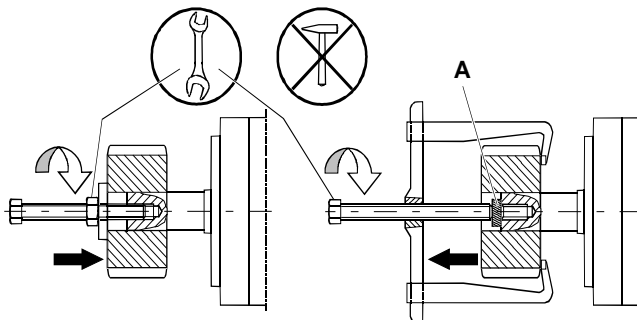
**Non sollecitare l'albero e il cuscinetto dei motori con urti.**

**Non superare le forze assiali e radiali sull'estremità dell'albero consentite dalla norma di progettazione.**

**Non sono consentite forze assiali con motori dotati di freno integrato.**

Il calettamento e l'estrazione degli elementi condotti (ad esempio il accoppiamento, ruota dentata, puleggia per cinghia) vanno eseguiti con attrezzi adatti (Fig. 4).

- Utilizzare il foro filettato nell'estremità dell'albero.
- Riscaldare, se necessario, gli elementi condotti.
- Durante l'estrazione, utilizzare il disco intermedio per proteggere la centratura nell'estremità dell'albero.
- Se necessario, equilibrare completamente il motore con gli elementi condotti secondo la norma ISO1940.





**Fig. 4 Il calettamento e l'estrazione degli elementi condotti**


A Disco intermedio (protezione della centratura nell'estremità dell'albero)

## 5 Collegamento elettrico

### 5.1 Note importanti

 <b>PERICOLO</b>	
	<p><b>Pericolo di scosse elettriche!</b>  <b>Quando il rotore è in movimento, sui morsetti del motore è applicata una tensione di circa 300 V.</b>  <b>Effettuare tutte le operazioni elettriche esclusivamente a motore fermo!</b>  <b>Fare eseguire le operazioni di montaggio sul convertitore di frequenza e sul connettore esclusivamente da personale qualificato!</b>  <b>Rispettare le normative per l'esecuzione dei lavori sugli impianti elettrici!</b></p>

Le norme di sicurezza per i lavori da eseguire sugli impianti elettrici secondo la Norma EN 50110-1 (DIN VDE 0105-100):

- Lavorare solo in totale assenza di tensione.
- Disinserire la macchina.
- Proteggerla contro la reinserzione.
- Verificare l'assenza di tensione.
- Effettuare la messa a terra e cortocircuitare.
- Oprire o separare parti sotto tensione situate nelle vicinanze.
- Via libera ai lavori.
- Allacciare il conduttore di protezione al 

**Requisiti per eseguire il montaggio****CAUTELA**

**Avviso di possibile danneggiamento al motore!**  
**Il collegamento diretto alla rete trifase provoca la distruzione del motore.**  
**Mettere in esercizio i motori solo con degli appositi convertitori di frequenza!**  
**Rispettare l'esatta sequenza delle fasi!**  
**I sistemi di trasduzione e il termosensore sono elementi costruttivi soggetti a rischio elettrostatico (EGB).**  
**Non toccare gli attacchi con le mani, né con attrezzi che possono essere carichi a livello elettrostatico!**

Si raccomanda l'utilizzo di conduttori confezionati da SIEMENS (non inclusi nella fornitura). Questi conduttori riducono il dispendio per il montaggio e incrementano la sicurezza di funzionamento.

- L'installazione da eseguire a regola d'arte è a cura del produttore dell'impianto / della macchina.
- Osservare i dati della targhetta (capitolo 3.1) e le indicazioni degli schemi elettrici (Fig. 5).
- I cavi di collegamento devono essere adatti all'impiego previsto e ai tipi di tensioni e correnti presenti.
- Nell'alimentazione del convertitore di frequenza è possibile che le forti oscillazioni di corrente e tensione ad alta frequenza provochino dei disturbi elettromagnetici nei cavi di alimentazione del motore.  
Usare delle connessioni di potenza e delle connessioni dei segnali che siano schermate. Rispettare le istruzioni CEM dettate dal produttore dei convertitori di frequenza.
- L'interno della spina deve essere pulito, privo di residui dei cavi e umido.
- Evitare i fili sporgenti.
- Verificare le guarnizioni, le superfici di tenuta della spina in modo da rispettare il tipo di protezione.
- Dotare i cavi di collegamento di un'adeguata protezione antirotazione, antitrazione, antispinta e antideformazione. Non sono consentite forze permanenti sui connettori.
- La scanalatura di codifica del collegamento a spina deve essere introdotta rispettivamente allineata nella spina jack, dopodiché il dado di raccordo va serrato manualmente fino all'arresto in modo saldo.

In caso di carico termico elevato, ad es. sovraccarico a motore fermo, la funzione protettiva con il termosensore incorporato può non essere sufficiente. Per questi casi, prevedere ulteriori misure protettive, ad es. relè termico di massima corrente.

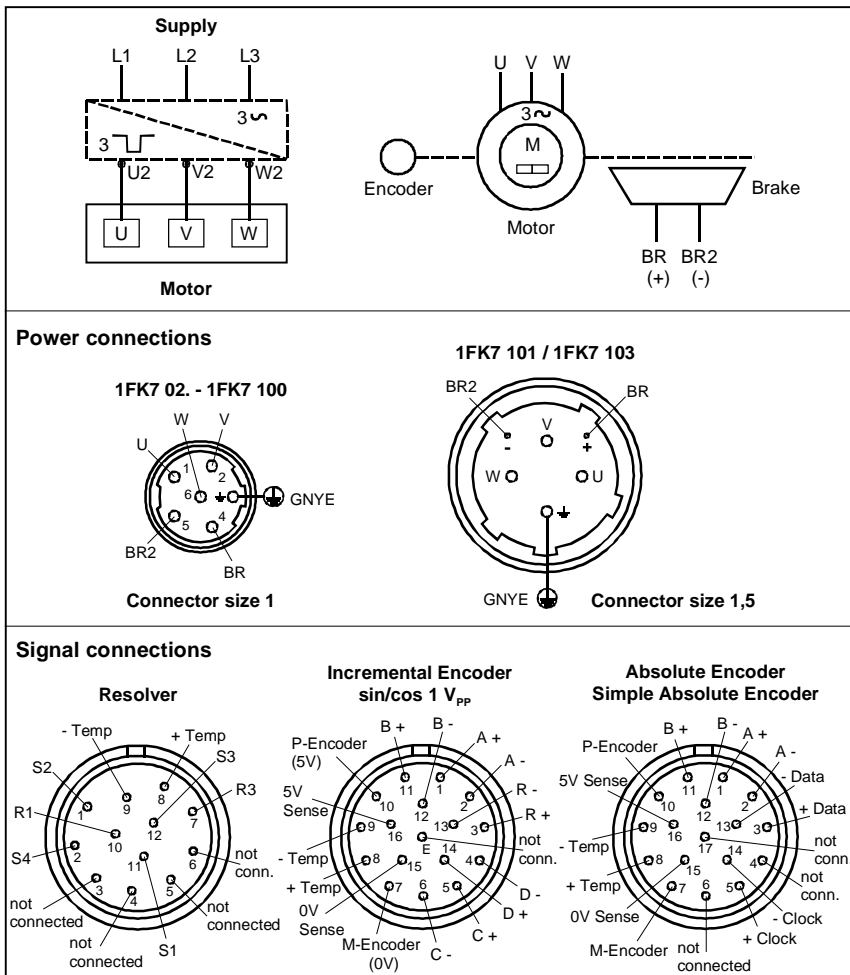


Fig. 5 Circuito elettrico

5.2 Tipo di connettore

**ATTENZIONE**

Una modifica impropria della direzione di uscita del connettore provoca danni alle linee di collegamento.

Non superare i momenti torcenti consentiti secondo Fig. 6.

È consentito apportare massimo dieci modifiche alla direzione di uscita del connettore con l'inserimento dell'accoppiatore adatto fino all'arresto.

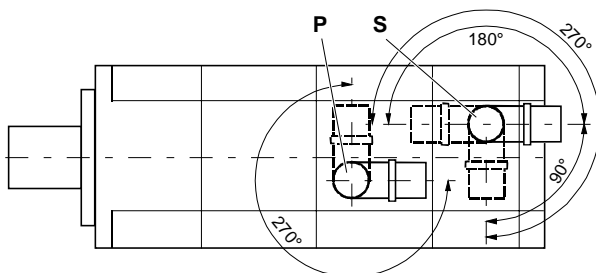
**Connettore di alimentazione**

1. Utilizzare connettori di dimensione 1 o 1,5.
2. Effettuare la piedinatura dei connettori come da Fig. 5. Collegare il conduttore di protezione.

3. Collegare il freno tramite il connettore di alimentazione come da Fig. 5.

**Connettore di segnalazione** per il sistema di trasduzione ed il termosensore

1. Utilizzare il connettore adatto.
2. Effettuare la piedinatura dei connettori come da Fig. 5.



P Connettore di alimentazione

S Connettore di segnalazione

**Fig. 6 Capacità di torsione del connettore**

**Momenti torcenti massimi consentiti  $M_{max}$ .**

Connettore	Motore	Dimensioni del connettore	$M_{max}$
P	1FK7 02. - 1FK7 100	1	$M_{max} = 12 \text{ Nm}$
	1FK7 101 / 1FK7 103	1.5	$M_{max} = 20 \text{ Nm}$
S			$M_{max} = 12 \text{ Nm}$

## 6 Messa in funzione

<b>⚠ CAUTELA</b>	
	<p><b>Pericolo termico causato dalle superfici incandescenti!</b>            La temperatura in superficie del motore può raggiungere fino a gli 140 °C.  <b>Non toccare le superfici incandescenti!</b>  <b>Se necessario, apportare la protezione dal contatto elettrico!</b>  <b>Gli elementi costruttivi termosensibili (cavi elettrici, elementi costruttivi elettronici) non possono venire a contatto con superfici incandescenti.</b></p>

### 6.1 Verifica prima della messa in funzione

Prima della messa in funzione, assicurarsi che

- tutti i collegamenti siano stati eseguiti regolarmente e che i giunti a spine siano ben serrati,
- tutti i dispositivi di protezione del motore siano attivi,
- il comando non sia bloccato,
- non siano presenti altre fonti di pericolo,
- il comando non sia danneggiato (nessun danno dovuto al trasporto o allo stoccaggio),
- le chiavette situate nell'estremità dell'albero (se presenti) non possano saltar fuori.

## 6.2 Messa in funzione

<b>⚠ AVVERTENZA</b>	
	<p><b>Pericolo rappresentato dal rotore in movimento!</b>  <b>Pericolo rappresentato dal rotore in movimento!</b>  <b>Assicurare gli elementi condotti e la protezione contro le scariche!</b>  <b>Proteggere le chiavette (se presenti) di modo che non possano saltar fuori!</b></p>

Osservare le istruzioni sulla messa in funzione del convertitore di frequenza (ad es. SIMODRIVE, MASTERDRIVES MC).

<b>ATTENZIONE</b>	
<p><b>Il freno è ideato per arresti d'emergenza (mancanza di corrente, arresto d'emergenza).</b>  <b>Non è consentito utilizzare il freno come freno di lavoro.</b>  <b>Dopo il disinserimento del motore, agisce da freno di arresto.</b></p>	

1. Aprire il freno per quanto necessario.
2. Verificare la funzionalità (apertura e chiusura) del freno.  
Applicare sui Pins BR, BR2 (Fig. 5) 24 V DC  $\pm 10\%$  e verificare la corsa libera del rotore (nessun rumore di abrasione).
3. Verificare il montaggio del motore, l'accoppiamento bloccato e la centratura.
4. Verificare l'idoneità e la regolazione degli elementi condotti per le condizioni di impiego previste, p.es. tensione della cinghia.
5. Verificare la connessione di alimentazione e di segnalazione.
6. Verificare la funzionalità dei dispositivi ausiliari, se presenti.
7. Verificare le misure precauzionali dei componenti mobili e quelli sotto tensione.
8. Mettere in funzione il sistema di comando come descritto nelle istruzioni per l'uso del convertitore di frequenza o invertitore.
9. Verificare l'osservanza del numero massimo di giri ( $n_{max}$ ) consentito (si veda l'indicazione sulla targhetta). Il limite massimo del numero di giri è il massimo numero di giri consentito per un esercizio di breve durata.
10. Il termosensore incorporato non è in grado di coprire tutti i guasti possibili (osservare le indicazioni riportate nelle istruzioni di progettazione).

## 7 Istruzioni in caso di guasto

In caso di alterazioni rispetto al funzionamento normale o in caso di guasto, procedere innanzitutto in base al seguente elenco.

A questo scopo, osservare anche i capitoli corrispondenti delle istruzioni per l'uso dei componenti dell'intero sistema di comando.

Non disattivare mai i dispositivi di sicurezza neanche in fase di esercizio di prova.

Se necessario, consultare il produttore o il centro di assistenza SIEMENS.

Per la messa in funzione, sistema motore-convertitore

di frequenza:

A&D Hotline + 49 180 50 50 222

Per motore/componenti del motore:

Consultazione dello stabilimento +49 174-3110669

<b>Guasto</b>	<b>Causa</b>	<b>Eliminazione</b>
Andamento non uniforme	Schermatura insufficiente del conduttore del motore o del trasduttore	Verificare la schermatura e il collegamento a massa (si veda capitolo 5.1)
	Amplificazione del convertitore troppo elevata	Adeguare il convertitore (si vedano le istruzioni per l'uso del convertitore di frequenza)
Vibrazioni	Elementi di accoppiamento o macchina operatrice equilibrati in modo incorretto	Riequilibrare
	Errore di centratura della trasmissione	Ripetere la centratura del gruppo motore
	Viti di fissaggio allentate	Controllare e serrare le giunzioni
Rumori	Corpi estranei all'interno del motore	Riparazione da parte del produttore
	Danno al cuscinetto	Riparazione da parte del produttore
Il motore si surriscalda (temperatura in superficie $d > 140$ °C) Il controllo della temperatura reagisce	Sovraccarico del comando	Verificare il carico (si veda la targhetta)
	Scarico di calore impedito da depositi	Pulire la superficie degli azionamenti Assicurare una libera alimentazione e scarico dell'aria di raffreddamento

## 8 Ispezione, manutenzione, smaltimento

Effettuare la pulizia a seconda del grado di sporcizia specifico, per assicurare uno scarico sufficiente del calore di dissipazione.

Poiché le condizioni di funzionamento sono molto diverse, possono essere pronunciate solo scadenze indicative con funzionamento corretto.

Valori indicativi:

- Durata di utilizzo del cuscinetto 20.000 ore
- Guarnizioni ad anello per l'albero circa 5.000 ore con lubrificazione ad olio.

### **ATTENZIONE**

**Dopo ogni smontaggio del motore, il sistema di trasduzione deve essere nuovamente registrato.**

Smaltimento dei motori nell'ambito del processo di separazione dei materiali di valore in osservanza delle norme nazionali e locali o restituzione al produttore.


Smaltire accuratamente il sistema elettronico di trasduzione nei rottami elettronici.



Denna bruksanvisning innehåller information som skall beaktas för din personliga säkerhets skull och för att sakskador skall undvikas. Information om din personliga säkerhet markeras med en varningstriangel, information som endast avser sakskador står utan varningstriangel. Beroende på riskgrad anges de på följande sätt:

 <b>FARA</b>	
Symbol	betyder att följden blir död, svåra kroppsskador eller betydande sakskador om motsvarande försiktighetsåtgärder inte vidtas.

 <b>VARNING</b>	
Symbol	betyder att följden kan bli död, svåra kroppsskador eller betydande sakskador om inte motsvarande försiktighetsåtgärder vidtas.

 <b>SE UPP</b>	
Symbol	med varningstriangel betyder att följden kan bli en smärre kroppsskada om inte motsvarande försiktighetsåtgärder vidtas.

<b>SE UPP</b>	
utan varningstriangel betyder att följden kan bli en sakskada om inte motsvarande försiktighetsåtgärder vidtas.	

<b>OBSERVERA</b>	
betyder att följden kan bli en oönskad händelse eller tillstånd om inte motsvarande information beaktas.	

## Kvalificerad personal

Driftsättning och drift av apparaten får endast utföras av kvalificerad personal. Kvalificerad personal i enlighet med den säkerhetstekniska informationen i denna bruksanvisning är personer, vilka är berättigade att ta i drift, jorda och märka apparater, system och strömkretsar enligt de säkerhetstekniska standarderna.

## Ändamålsenlig användning

Vänligen beakta följande:

Apparaten får endast användas på det sätt som avses i katalogen och projekteringsanvisningarna och endast i förbindelse med externa enheter och externa komponenter som Siemens rekommenderar resp. har gett tillstånd till. Felfri och säker drift av produkten förutsätter korrekt transport, korrekt lagring, uppställning och montering, samt noggrann manövrering och noggrant underhåll.

## Ansvarsfrihet

Vi har kontrollerat innehållet i trycksaken. Trots detta kan avvikelser inte uteslutas och vi kan därför inte garantera fullständig överensstämmelse. Uppgifterna i denna trycksak kontrolleras regelbundet och nödvändiga korrigeringar görs i efterföljande upplagor. Vi är tacksamma för förbättringsförslag.

## © Copyright Siemens AG 2001. All rights reserved

Att ge vidare och mångfaldiga detta underlag, att på ett vinstgivande sätt utnyttja och delge innehållet är ej tillåtet såtillvida det inte uttryckligen medges. Överträdelser förpliktigar till skadestånd.

Alla rättigheter förbehållna, i synnerhet vid erhållande av patent eller lagligt skydd för viss modell.

Siemens AG  
Bereich Automatisierungs- und Antriebstechnik  
Geschäftsgebiet Motion Control Systeme (MC)  
D-97615 Bad Neustadt an der Saale

# 1 Allmän säkerhetsinformation

Servomotorerna motsvarar de harmoniserade normerna i serien EN 60034-1, EN 60034-6, EN 60034-9 samt EN 60204-1.

Trefas servomotorerna 1FK6 överensstämmer med 73/23/EEC Lågspänningsdirektiv. Standardmotorerna motsvarar UL-föreskrifterna. Dessa motorer är märkta med UR på märkskylten.

**Säkerställ att alla existerande rättsliga föreskrifter respekteras för slutprodukten! Beakta de bindande nationella, lokala och anläggnings-specifika föreskrifterna!**

Trefas-servomotorer är uteslutande avsedda för montering i en annan maskin/i andra maskiner.

**Driftsättningen av motorerna är förbjudet fram tills att slutproduktens överensstämmelse med gällande direktiv fastställts.**

Bruksanvisningen gäller i förbindelse med SIEMENS-projekteringsanvisning "Trefas servomotorer", best. nr. 6SN1197-0AC20-0AP.

För transport, lagring, montering, demontering och drift av servomotorerna måste all information om säkerheten beaktas!

Respekteras inte detta kan följden bli allvarliga kroppsskador eller sakskador.

Motorernas rotor innehåller permanenta magneter med höga magnetiska flödestätheter och starka dragningskrafter till ferromagnetiska kroppar.

In närheten av en demonterad rotor utsätts personer med pacemaker för fara. Data som lagrats på elektroniska datamedier kan förstöras.

Användning i explosionshotade områden är förbjudet, såvida detta inte är uttryckligen angivet.

## Termisk fara

Motorernas ytemperatur kan uppgå upp till 140 °C.

**Berör aldrig heta ytor!**

Temperaturkänsliga komponenter (elektriska kablar, elektroniska komponenter) får ej ligga an mot heta ytor.

Överhettning av motorerna kan leda till att lindningar och lager förstörs och att de permanenta magneterna avmagnetiseras.

**Använd endast motorerna med verksam temperaturkontroll!**

## Ändamålsenlig användning

Att respektera alla föregivna uppgifter i bruksanvisningen och projekteringsanvisningen "Trefas servomotorer" är en del av den ändamålsenliga användningen.

# 2 Uppgifter om produkten

## 2.1 Produktbeskrivning

Motorer i konstruktionsserien 1FK7 är permanent magnetverkande trefas-synkron-motorer (trefas servomotorer) för drift med motorstyrda pulsomformare enligt sinusströmprincipen.

Motorerna är avsedda för drivning och positionering av verktygs- och produktionsmaskiner samt robotar och hanteringsenheter.

## 2.2 Leveransens omfattning

Drivningssystemen är individuellt sammanställda. Kontrollera genast efter att leveransen kommit, att leveransens omfattning stämmer överens med de medföljande underlagen. SIEMENS ger ingen garanti för brister som reklameras i efterhand.

Reklamera

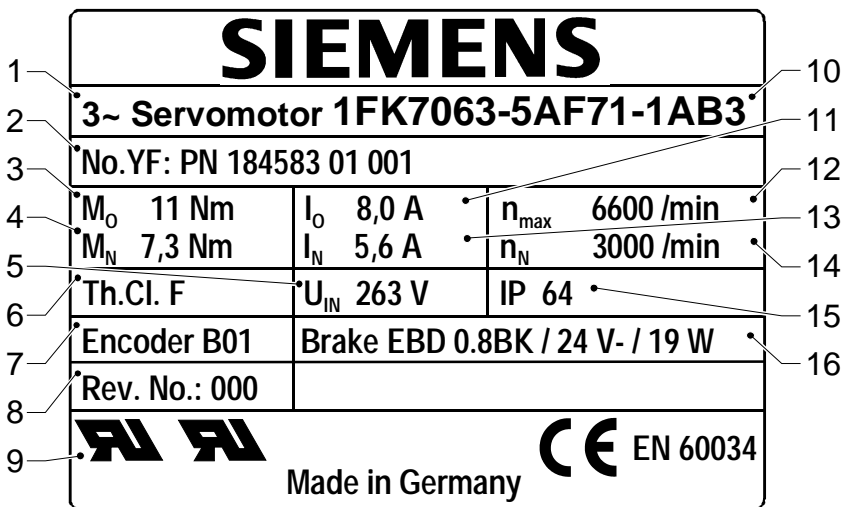
- genast synliga transportskador hos leverantören.
- genast synliga brister/ofullständig leverans hos ansvarig representant för SIEMENS.

Bruksanvisningen ingår i leveransen och skall därför förvaras på en plats där den är tillgänglig.

Typskylten som löst medföljer leveransen är till för att motordatan dessutom skall finnas på eller vid maskinen eller anläggningen.

## 3 Tekniska data

### 3.1 Typskylt



**Bild 1 Typskylt**

- |                                   |  |
|-----------------------------------|--|
| 1 Motortyp: Trefas-servomotor     | 10 SIEMENS motortyp/ beteckning                                |
| 2 Ident.nr., Produktionsnummer    | 11 Stilleståndsström $I_0$ [A]                                 |
| 3 Stilleståndsmoment $M_0$ [Nm]   | 12 Maximalt varvtal $n_{max}$ [1/min]                          |
| 4 Märkvridmoment $M_N$ [Nm]       | 13 Märkström $I_N$ [A]   |
| 5 Inducerad spänning $U_{IN}$ [V] | 14 Märkvarvtal $n_N$ [1/min]                                   |
| 6 Värmeklass                      | 15 Kapslingsklass  |
| 7 Märkning givartyp               | 16 Uppgifter om hållbroms:<br>Typ, spänning, effektförbrukning |
| 8 Version aktuell                 |  |
| 9 Normer och föreskrifter         |  |

## 3.2 Kännetecken

Konstruktionsform (EN 60034-7)	IM B5 (IM V1, IM V3)
Kapslingsklass (EN 60034-5)	IP64
Kylning (EN 60034-6)	Självkylning
A-värderad ljudeffektnivå (EN 60034-9) för varvtalsområde upp till 3000 min <sup>-1</sup>	
1FK7 02., 1FK7 03., 1FK7 04.	ca. 55 dB(A)
1FK7 06.	ca. 65 dB(A)
1FK7 08., 1FK7 10.	ca. 70 dB(A)
Termiskt motorskydd (EN 60034-11)	Temperatursensor KTY84 i statorlindningen
Axeltapp (DIN 748-3; IEC 60072-1)	cylindrisk; utan kilspår, Toleransfält k6
Radialkast, koaxilitet, axialkast (DIN 42955; IEC 60072-1)	Tolerans N
Vibrationsamplitud (EN 60034-14)	klass N
Lager	Rullager med konstant fettsmörjning (livstidsmörjning) styrlager på B-sida
Lagerlivslängd	20000 h (riktvärd)
Lindningsisolering (EN 60034-1)	Värmeklass F
Omgivningstemperaturer	-15 °C upp till +40 °C (5 °F upp till 104 °F) annars reducering av märkdatan upp till 50 °C Effekt faktor 0,92 upp till 60 °C Effekt faktor 0,82
Uppställningshöjd (EN 60034-1)	≤ 11000 m ö h 2000 m Effekt faktor 0,94 2500 m Effekt faktor 0,9
Magnetmaterial	Sällsynt jordartsmaterial
Elektrisk anslutning	vidbar kontakt för effekt och givarsignaler
Givarsystem	monterad givare - registrering av varvtalet - registrering av rotorläget - indirekt lägesregistrering

Ytterligare tekniska värden, måttblad enligt projekteringsanvisning "Trefas servomotorer",  
best. nr. 6SN1197-0AC20-0AP.

### Alternativ/utökningar


Konstruktionsserie lägre tröghet	HD (High Dynamic)
Kapslingsklass (EN 60034-5)	IP 65; dessutom AS-fläns IP67

Inbyggda/påbyggda	- detaljer vilströmbroms (DIN VDE 0580) Anslutningsspänning 24 V DC $\pm 10\%$
Givarsystem	- Planetväxel - inkrementell givare sin/cos 1 V <sub>pp</sub> - Absolutvärdesgivare EnDat - Enkel absolutvärdesgivare - Resolver
Axeltapp (DIN 748-3; IEC 60072-1)	cylindrisk med kilspår och kil; Toleransfält k6 (balansering med halv kil)

Ytterligare tekniska uppgifter t.ex. motordimensioner, hittar du i katalog NC 60 eller DA 65.3.

## 4 Uppställning, montering

### 4.1 Transport, lagring

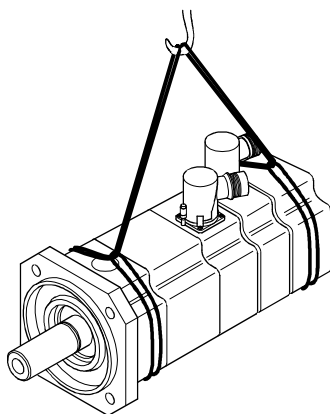
<b>⚠ VARNING</b>	
	<p><b>Fara vid lyft- och transportprocedurer!</b>  <b>Felaktigt utförande, olämpliga eller defekta apparater och hjälpmedel kan leda till personskador och/eller saksador.</b>  <b>Lyftapparater, truckar och lyftanordningar måste motsvara föreskrifterna.</b></p>

Använd lämpade lyftanordningar för transport och montering.

Använd i förekommande fall tillverkarens lyftögloar för att transportera motorerna.

Lyftanordning enligt 98/37/EG Maskindirektiv, bilaga I.

Motorerna har en massa på upp till 50 kg. Exakta uppgifter se katalog resp. måttblad.

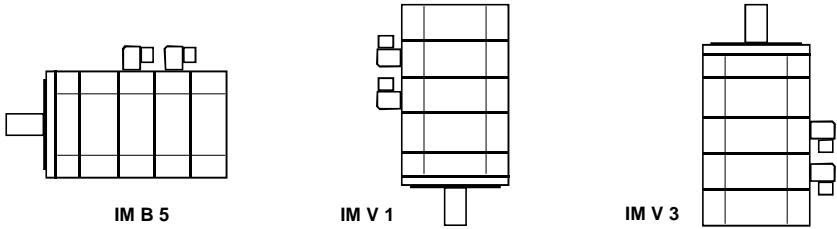


**Bild 2 Lyfta och transportera med slinga**

Respektera de nationella föreskrifterna vid transporten.

Lagringen sker i torr, damm- och vibrationsfritt ( $v_{\text{eff}} < 0,2 \text{ mms}^{-1}$ ) utrymme inomhus.

## 4.2 Uppställning



**Bild 3 Konstruktionsformer**

- Beakta uppgifterna på märkskylten, varnings- och informationsskyltar på motorn.
- Beakta tillåtna radiella och axiella krafter (se projekteringsanvisningar). Vid motorer med integrerad broms är axiella krafter ej tillåtna.
- Kontrollera att villkoren (t.ex. temperaturer, uppställningshöjd) överensstämmer på monteringsplatsen (se kapitel 3.2).
- Användning i explosionshotade områden är förbjudet.
- Avlägsna grundligt korrosionsskyddsmedel på axeltappen (använd lösningsmedel brukliga inom handeln).
- Säkerställ tillräcklig bortförsel av förlustvärme. Vi rekommenderar att ett avstånd på minst 100 mm hålls på minst tre sidor till angränsande delar.
- Beakta att motorn står jämnt vid flänsmontering, undvik mekaniska spänningar när fästskruvarna dras åt. Använd insexskruvar med cylinderhuvud, hållfasthetsklass minst 8.8.
- Vid vertikal uppställning med axeltapp uppåt, säkerställ att ingen vätska kan tränga in i det övre lagret.
- Inskruvade lyftöglor kan demonteras efter uppställningen.
- Vrid drivelementen för hand. Åtgärda orsaken vid möjliga skrapljud eller konsultera tillverkaren.

### Imiterade vibrationer, balansering

Motorer med kilspår balanseras av tillverkaren med halv kil.

Systemets vibrationsuppträdande på användningsplatsen påverkas av drivelement, monteringsförhållanden, riktande, uppställning och externa vibrationer. Därigenom kan motorns vibrationsvärden ändras.

De imiterade vibrationerna vid monterat tillstånd går inte överskrida accelerationer på 5 g.

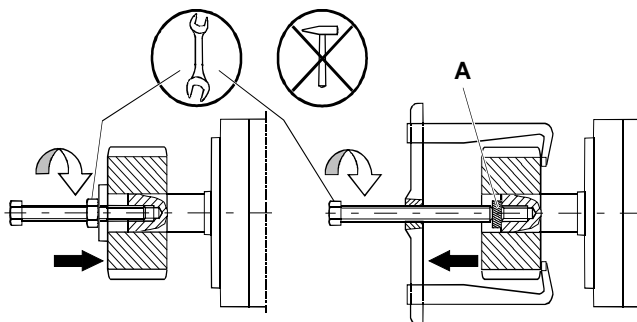
### Drivelement

#### OBSERVERA

**Axel och lager på motorerna får ej belastas med slag.  
Överskrid ej tillåtna axiella och radiella krafter på axeltappen enligt projekteringsföreskrift.  
Vid motorer med integrerad broms är axiella krafter ej tillåtna.**

Dra endast på och av drivelement (t.ex. koppling, kuggjul, remskiva) med lämpade anordningar (Bild 4).

- Använd gängskärningen i axeltappen.
- Värm vid behov upp drivelement.
- Använd mellanbricka som skydd för centreringen i axeltappen vid bortdragningen.
- Vid behov balansera motorn komplett med drivelement enligt ISO1940.





**Bild 4 Dra på och av drivelement**


A Mellanbricka (skydd för centreringen i axeltappen)

## 5 Elektrisk anslutning

### 5.1 Viktig information

 <b>FARA</b>	
	<p><b>Risk för elektrisk stöt!</b>  <b>Vid roterande rotor ligger spänning an på ca. 300 V vid motorklämmorna.</b>  <b>Alla slags elektroarbeten får endast utföras när motorn står still!</b>  <b>Använd endast kvalificerad fackkraft för monteringsarbeten på omriktare och kontakter!</b>  <b>Respektera föreskrifter för arbeten på elektrotekniska anläggningar!</b></p>

Säkerhetsregler för arbeten i elektriska anläggningar enligt EN 50110-1 (DIN VDE 0105-100):

- Arbeta endast i spänningslöst tillstånd.
- Frånkoppling.
- Säkra mot återinkoppling.
- Fastställ att ingen spänning förekommer.
- Jorda och kortslut.
- Täck över eller spärra av angränsande delar som har spänning pålagd.
- Frigivning för arbetet.
- Anslut skyddsledare till !



**Monteringskrav****SE UPP****Varning för motorskador!****Direkt anslutning av motorn till trefasnätet leder till att motorn förstörs.****Använd endast motorer med projekterade omriktare!****Beakta rätt fasföljd!****Givarsystem och temperatursensorer är elektrostatiskt utsatta konstruktionselement (EGB).****Berör inte anslutningarna med händerna eller med verktyg som kan vara elektrostatiskt laddade!**

Kablar gjorda av SIEMENS rekommenderas (ingår ej i leveransen).

Dessa kablar reducerar monteringsomfattningen och ökar driftsäkerheten.

- Anläggningens/maskinens tillverkare ansvarar för korrekt installation.
- Beakta uppgifterna på typskylten (kapitel 3.1) och uppgifterna på kopplingsbilderna (Bild 5).
- Anpassa anslutningskablar till användningssätt, förekommande spänningar och strömstyrkor.
- Vid matning med omriktare kan högfrekventa ström- och spänningsövertoner leda till elektromagnetiska störningar i ledningarna till motorn.  
Använd skärmade effekt- och signalkablar.  
Beakta omriktartillverkarens EMC-information.
- Kontraktens inre måste vara rent och fritt från kabelrester och fukt.
- Undvik trådändar som sticker ut.
- Kontrollera tätningar och tätningsytor för kontakterna så att kapslingsklassen respekteras.
- Förse anslutningskablar med skydd mot förvriddning-, drag- och skjutpåkänningar samt böjskydd. Ej tillåtet att utsätta kontakterna för konstanta mekaniska krafter.
- Kontaktförbindelsens kodningsspår måste riktas in i uttaget och överfallsmuttern dras åt till stopp.

Vid hög termisk belastning, t. ex. överbelastning när motorn står still, kan skyddsfunktionen med monterad temperatursensor vara otillräcklig. Vidtag extra skyddsåtgärder för dessa fall, t.ex. termiskt överströmrelä.

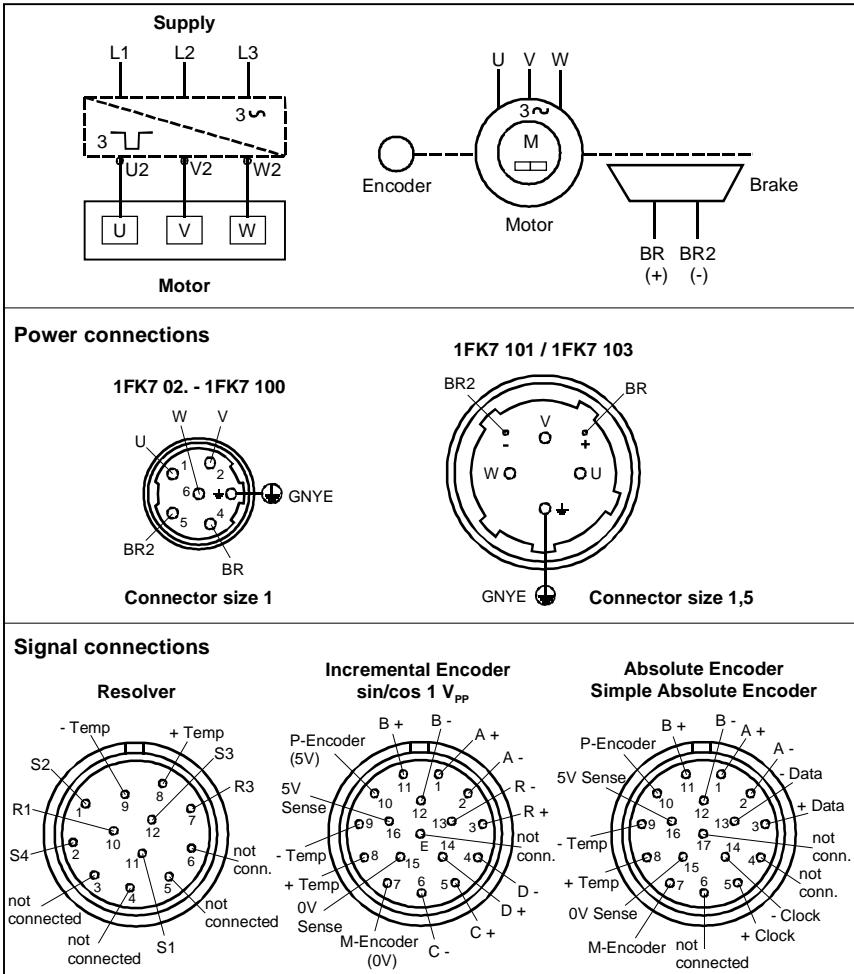


Bild 5 Kopplingar

## 5.2 Kontaktutförande

### OBSERVERA

Felaktig ändring av kontaktens anslutningsriktning leder till skador på anslutningskablar.

Överskrid inte tillåtna vridningsmoment enligt Bild 6

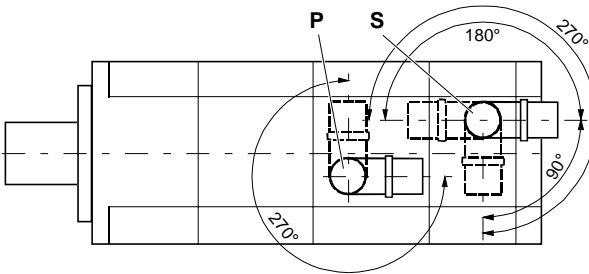
Endast maximalt 10 ändringar fram till ändläge av kontaktens anslutningsriktning, med ditsatta passande motkontakter, är tillåtet.

#### Effektkontakt

1. Använd kontakt storlek 1 eller storlek 1,5.
2. Montera kontakter enligt Bild 5. Anslut skyddsledare.
3. Anslut broms genom effektkontakt enligt Bild 5.

**Signalkontakt** för givarsystem och temperatursensor

1. Använd passande kontakt.
2. Montera kontakter enligt Bild 5.



**P** Effektkontakt

**S** Signalkontakt

**Bild 6** Kontaktens vridbarhet

**Maximalt tillåtna vridningsmoment  $M_{max}$**

Kontakt	Motor	Kontaktstorlek	$M_{max}$
P	1FK7 02. - 1FK7 100	1	$M_{max} = 12 \text{ Nm}$
	1FK7 101 / 1FK7 103	1.5	$M_{max} = 20 \text{ Nm}$
S			$M_{max} = 12 \text{ Nm}$

**6 Driftsättning**

**⚠ SE UPP**

**Termisk fara genom heta ytor!**  
**Motorernas yttemperatur kan uppgå upp till 140 °C.**  
**Berör inte heta ytor!**  
**Vid behov planera in beröringsskydd!**  
**Temperaturkänsliga komponenter (elektriska kablar, elektroniska komponenter) får ej ligga an mot heta ytor.**

**6.1 Kontroller innan driftsättning**

Innan driftsättningen säkerställ att

- alla anslutningar gjorts korrekt och att alla anslutningsdon säkrats mot att lossa,
- alla motorskyddsanordningar är aktiva,
- drivenheten inte är blockerad,
- inga andra riskorsaker finns,
- drivenheten är oskadad (inga skador genom transport/lagring).
- kilspåren säkrats i axeltappen (i förekommande fall) mot att slungas ut.

## 6.2 Driftsättning

<b>⚠ VARNING</b>	
	<b>Fara genom roterande rotor!</b> <b>Säkra drivelement med beröringsskydd!</b> <b>Säkra kilar (i förekommande fall) mot att slungas iväg!</b>

Ta hänsyn till anvisningarna för driftsättning för omriktaren (t.ex. SIMODRIVE, MASTERDRIVES MC).

<b>OBSERVERA</b>
<b>Bromsen är konstruerad för nödstopp (strömbortfall, nödstopp).</b> <b>Det är ej tillåtet att använda den som arbetsbroms.</b> <b>Efter att motorns kopplats från fungerar den som hållbroms.</b>

1. Öppna bromsen om så krävs.
2. Kontrollera bromsens funktion (öppna och stänga).  
För att göra detta lägg på 24 V DC  $\pm 10\%$  på pins BR, BR2 (Bild 5) och se om rotorn löper fritt (inga släpljud).
3. Kontrollera motorns montering, att den sitter fast och riktandet.
4. Kontrollera lämplighet och inställning av drivelementen för avsedda användningsvillkor (t.ex. remspänning).
5. Kontrollera effekt- och signalkontaktförbindelse.
6. Kontrollera att extra anordningar (i förekommande fall) är funktionsdugliga.
7. Kontrollera beröringsskyddsåtgärder för flyttade och spänningsförande delar.
8. Ta drivsystemet i drift i enlighet med driftsanvisningarna för omvandlare resp. växelriktare.
9. Respektera max. tillåtet varvtal  $n_{\max}$  (uppgifter se typskylt). Det maximalt tillåtna varvtalet är det högsta tillåtna driftsvarvtal som kan tillåtas under kort tid.
10. Den monterade temperatursensorn kan inte täcka alla tänkbara störfall (beakta information i projekteringsanvisningarna).

## 7 Information vid störningar

Vid förändringar i förhållande till den normala driften eller störningar gör först såsom anges i listan nedan.

Beakta även hithörande kapitel i driftsanvisningarna till komponenterna för hela drivsystemet.

Skyddsanordningarna får inte sättas ur funktion vid testkörning.

Vid behov kontakta tillverkaren eller SIEMENS-servicecentrum.

För driftsättning, system, motoromriktare      A&D Hotline +49 (0)180 50 50 222

För motor/motorkomponenter:                      Förfrågan i fabriken 0174-3110669

Störning	Orsak	Åtgärdande
Ojämn gång	Otillräcklig skärmning av motor- eller givarkabel	Kontrollera skärmning och jordning (se kapitel 5.1)
	För hög förstärkning av drivregulatorn	Anpassa regulator (se bruksanvisning omriktare)
Vibrationer	Kopplingselement eller arbetsmaskin dåligt balanserade	Efterbalansera
	Dålig riktning av drivmekanismen	Rikta maskingruppen igen
	Lösa fästskruvar	Kontrollera och säkra skruvförbindelser
Onormala ljud	Främmande kroppar inuti motorn	Reparation genom tillverkare
	Lagerskador	Reparation genom tillverkare
Motorn blir för varm (temperatur på ytan >140 °C) Temperaturövervakning slår till	Överbelastning av drivenheten	Kontrollera belastning (se typslyt)
	Värmebortförel hindras av avlagringar	Rengör drivenhetens utsida Se till att till- och bortförel av kyluft inte hindras

## 8 Inspektion, underhåll, avfallshantering

Rengör efter lokal nedsmutsningsgrad för att säkerställa tillräcklig bortförel av förlustvärmen.

Eftersom driftsförhållandena kan vara mycket varierande, kan endast generella tidpunkter anges vid drift utan störningar.

Riktvärden:

- Lagerlivslängd 20 000 timmar
- Radialaxeltättningsringar ca. 5 000 timmar vid oljesmörjning.

### OBSERVERA

**Var gång motorn demonterats måste givarsystemet justeras på nytt.**

Vid avfallshantering av motorerna skall nationella och lokala föreskrifter respekteras vid den normala återvinningsprocessen eller så skall de ges tillbaka till tillverkaren. Avfallshanteringen av givarelektroniken skall ske som elektronikskrot.

Siemens AG  
Bereich Automatisierungs- und Antriebstechnik  
Geschäftsgebiet Motion Control Systeme (MC)  
D-97615 Bad Neustadt an der Saale

© Siemens AG, 2001  
Subject to change

---

Siemens Aktiengesellschaft

Order No.: 610.40 700.21  
Printed in the Federal Republic of Germany  
300 90112 190 5 400

